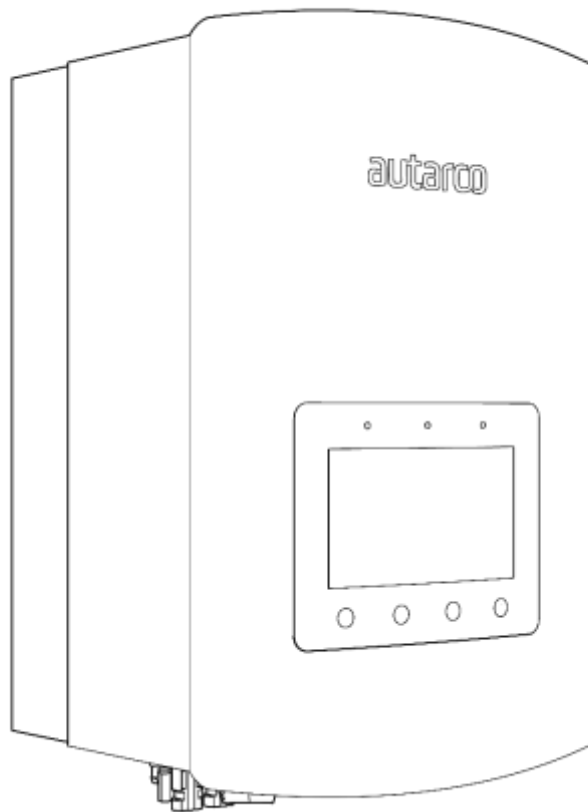




Installation and Operation Manual

Hybrid Solar Inverters MH-MII series



Contact Information

Autarco Group B.V.
Torenallee 20
5617 BC Eindhoven
The Netherlands

www.autarco.com
info@autarco.com

Other Information

This manual is an integral part of the unit. Please read the manual carefully before installation, operation or maintenance. Keep this manual for future reference.

Product information is subject to change without notice. All trademarks are recognized as the property of their respective owners.

© Autarco Group B.V.
All rights reserved

Table of Contents

Table of Contents	3
1 Introduction	6
1.1 Read this first	6
1.2 Target Audience	6
1.3 Product versions covered by this document	7
2 Preparation	8
2.1 Safety instructions	8
2.2 Package contents	10
2.3 Internal DC switch	11
2.4 Explanations of symbols on inverter	11
3 Product information	12
3.1 Overview	12
3.2 Product identification	12
3.3 Product overview	12
4 Installation	14
4.1 Select a Location for the Inverter	14
4.2 Mounting of the inverter	15
4.3 PV Input Terminal Assembly	17
4.4 Battery Terminal Components	19
4.5 Assembling the AC-connector	20
4.6 Meter Installation	22
4.6.1 Single phase meter installation (Eastron SDM120CT)	22
4.6.2 Single phase meter installation (Acrel ACR10R-16DTE)	23
4.6.3 Three phase four wire meter installation (Eastron SDM120CT)	23
4.6.4 Three phase four wire meter installation (Acrel ACR10R-16DTE)	24
4.6.5 Three phase three wire meter installation (Eastron SDM120CT)	24
4.6.6 Three phase three wire meter installation (Acrel ACR10R-16DTE)	25
4.7 Communication Cable Assembly	25
4.8 External Ground Connection	26
4.9 Logic interface connection	28
4.10 Inverter Monitoring Function	29
4.11 Status LED indicators	30
5 Operation	31
5.1 Initial Display	31
5.2 Main Menu	33
5.3 Information	34
5.4 Settings	36
5.4.1 Set Time/Date	36
5.4.2 Set Address	37
5.4.3 Set Language	37
5.5 Advanced Information	38

5.5.1 Alarm message	38
5.5.2 Running message	39
5.5.3 Version	39
5.5.4 Communication data	40
5.5.5 Daily energy	40
5.5.6 Monthly energy	41
5.5.7 Yearly Energy	41
5.5.8 Total Energy	42
5.5.9 Warning message	42
5.6 Advanced Settings	43
5.6.1 Select standard	44
5.6.2 ON/OFF	44
5.6.3 Calibrate energy	45
5.6.4 Reset password	46
5.6.5 Restart HMI	46
5.6.6 Storage Energy Set	47
5.6.6.1 Control parameter	47
5.6.6.2 Battery Select	48
5.6.6.3 Meter Set	51
5.6.6.3.1 Meter Select	51
5.6.6.3.2 Meter Placement	52
5.6.6.4 Storage Mode Select	52
5.6.6.5 Battery Wake Up	52
5.6.7 Export Power Set	53
5.6.7.1 Backflow power	53
5.6.7.2 ON/OFF	54
5.6.7.3 Fail Safe ON/OFF	54
5.6.8 HMI Update	54
5.6.9 DSP Update	55
5.6.10 BaudRate RS485	55
5.7 Special Settings	56
5.7.1 EPS Mode	56
5.7.2 AFCI	57
5.7.2.1 Enable the AFCI function	57
6 Inverter commissioning sequence	59
6.1 Preparation of Commissioning	59
6.2 Commissioning procedure	59

6.3 Shutdown procedure	59
7 Maintenance	60
8 Troubleshooting	61
8.1 Alarm messages	62
9 Recycling and Disposal	66
10 Specifications	67
11 Appendix	70
11.1 Working Mode description	72
11.2 Grid standard selection guide	75

1 Introduction

1.1 Read this first

This manual contains important information for use during installation and maintenance of the MH-MII series Autarco inverter.

To reduce the risk of electrical shock, and to ensure the safe installation and operation of the MH-MII series Autarco inverters, the following safety symbols appear throughout this document to indicate dangerous conditions and important safety instructions.



WARNING! Indicates safety instructions, which if not correctly followed, could result in injury, death or property damages.



Indicates important safety instructions, which if not correctly followed, could result in damage to or the destruction of the inverter.



RISK OF ELECTRIC SHOCK! Indicates important safety instructions, which if not correctly followed, could result in electric shock.



HOT SURFACE! Indicates safety instructions, which if not correctly followed, could result in burns.

1.2 Target Audience

This manual is intended for anyone who uses the Autarco MH-MII series inverter. Before any further action, the operators must first read all safety regulations and be aware of the potential danger to operate high-voltage devices. Operators must also have a complete understanding of this device's features and functions.



ATTENTION! Qualified personnel means a person with valid license from the local authority in:

- Installing electrical equipment and PV power systems (up to 1000 V)
- Applying all applicable installation codes and using Personal Protective Equipment
- Analyzing and reducing the hazards involved in performing electrical work



WARNING! Do not use this product unless it has been successfully installed by qualified personnel in accordance with the instructions in chapter 4 Installation.

1.3 Product versions covered by this document

The main purpose of this user manual is to provide instructions and detailed procedures for installing, operating, maintaining, and troubleshooting the MH-MII series of Autarco hybrid inverters which includes the following models:

- S2.MH3000-MII
- S2.MH3600-MII
- S2.MH4600-MII
- S2.MH5000-MII
- S2.MH6000-MII

The 'S2' in the product code indicates that this product belongs to our product group of inverters, hybrid inverters, retrofit battery chargers and monitoring devices.

The item code or SKU will include an additional number at the end. The final number references the default grid standard and colour of inverter. For example, S2.MH5000-MII.1 is the 5kW model with Dutch grid standard as default and Autarco blue cover.

Please keep this user manual available at all times in case of emergency.

2 Preparation

2.1 Safety instructions



DANGER! Do not touch any internal components whilst the inverter is in operation.



DANGER! Do not stand close to the inverter during severe weather conditions such as lightning, etc.



DANGER! Make sure you completely cover the surface of all PV arrays with opaque (dark) material before wiring them or make sure the DC circuit breaker or equivalent DC isolator is disconnected. This is because photovoltaic (PV) arrays create electrical energy when exposed to light, and could cause a hazardous condition.



WARNING! The MH-MII series inverter must only be operated with PV arrays of protection class II, in accordance with IEC 61730, class A.



WARNING! The PV inverter will become hot during operation; please don't touch the heat sink or peripheral surface during or shortly after operation.



NOTICE! Do not directly connect the AC output of the inverter to any private AC equipment. The PV inverter is designed to feed AC power directly into the public utility power grid.



NOTICE! The MC4 connectors supplied in the box with the inverter are to be used to make the connections with the inverter (Staubli MC4M-PV-KST4-6II-UR / MC4F-PV-KST4-6II-UR).

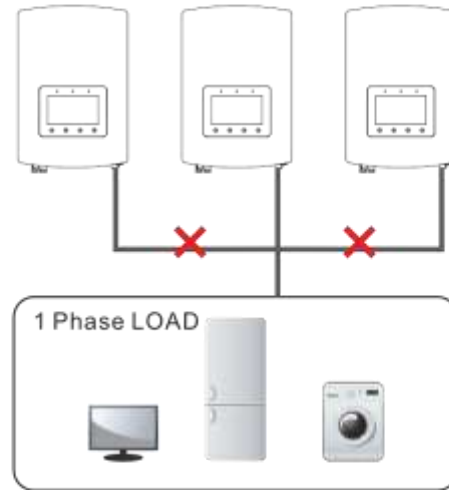
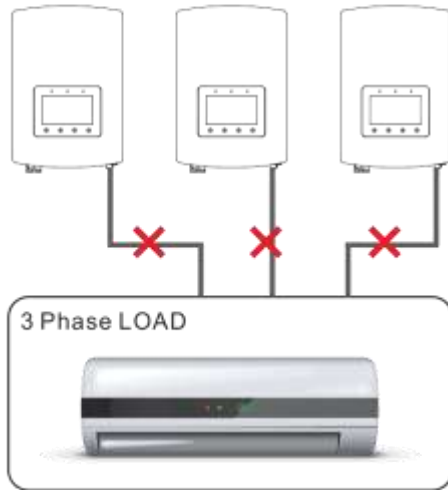


WARNING! The installation, service, recycling and disposal of the inverters must be performed by qualified personnel in compliance with national and local standards and regulations. Please contact your dealer to get the information of authorized repair facilities for any maintenance or repairmen.

Any unauthorized actions including modification of product functionality of any form will affect the validation of warranty service; Autarco may deny the obligation of warranty service accordingly.






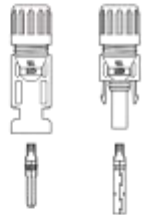












WARNING! The RHI-5G Series does not support parallel (three- and single-phase) operation on the AC-BACKUP port. Parallel operation of the unit will void the warranty.



WARNING! Please refer to the specification of the battery before configuration.

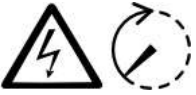





2.2 Package contents

 Inverter x1	 Back plate x1	 Fastening screw x3	 AC grid terminal x1
 AC backup terminal x1	 DC connector x2	 RJ45 connector x1 (Only for UK)	 Battery Cable x2
 CAN cable x1	 Rs485 Meter cable x1 (For Acrel Meter)	 Rs485 Meter cable x1 (For Eastron Meter)	 Connector x1
 Terminal cover x1	 Eastron Meter with CT x1	 Battery Temperature Sensor x1 (Optional)	 Manual User manual x1

2.3 Internal DC switch

Please verify whether your Autarco MH-MII series inverter is equipped with internal DC switches. This switch can be found on the bottom of the inverter. If there isn't an internal DC switch it is important to apply an external DC switch in order to completely disconnect the solar PV module strings from the inverter.

2.4 Explanations of symbols on inverter

 <p>10min</p>	<p>DANGER - HIGH ELECTRIC VOLTAGE This device is directly connected to public grid. All work to the inverter shall be carried out by qualified personnel only. There might be residual currents in inverter for up to 10 minutes because of large capacitors.</p>
	<p>ATTENTION This device is directly connected to electricity DC generators and the public AC grid.</p>
	<p>DANGER – HOT SURFACES The components inside the inverter will get hot during operation, DO NOT touch aluminum housing during operating.</p>
	<p>ATTENTION In case of any work to the inverter, always refer to this manual for detailed product information.</p>
	<p>ATTENTION This device SHALL NOT be disposed of in residential waste. Please go to chapter 9 Recycling and Disposal for proper treatments.</p>
	<p>CE MARK This equipment conforms to the basic requirements of the EU guideline governing low voltage and electromagnetic compatibility.</p>

3 Product information

3.1 Overview

Autarco MH-MII series grid tied inverters are state of the art, high efficiency, robust and reliable hybrid inverters at the best price quality ratio available. They are easy to install and carry a standard 5 year product warranty. Our rigorous quality control and testing facilities guarantee Autarco inverters meet the highest quality standards possible. These inverters are the key to our international track record of delivering extremely reliable solar power solutions.

Key features:

- Max string input current 15A
- Compatible with various Lithium-ion & lead-acid batteries
- Uninterrupted power supply, 20ms reaction
- Higher charge-discharge efficiency, improving the economic benefits
- Off-grid back up and energy management functions
- 5kW backup power to support more important loads

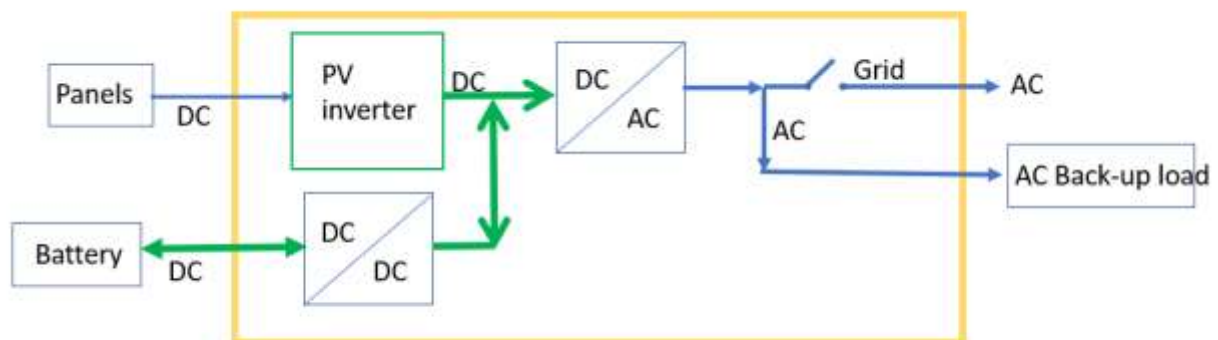
For full specifications please see chapter 10 Product Specifications.

3.2 Product identification

You can identify the inverter by the serial number (S/N) sticker on the side of the inverter. Important electrical specifications can also be found on the label which can be found on the left of the inverter housing. Do not remove the label or the serial number as this voids the product warranty.

3.3 Product overview

Find below a basic diagram of the inverter.



Screen

Autarco MH-MII series has a 7 inch color screen, it displays the status, operating information and settings of the inverter.

Keypad

There are four keys in the front panel of the inverter (from left to right): ESC, UP, DOWN and ENTER keys.

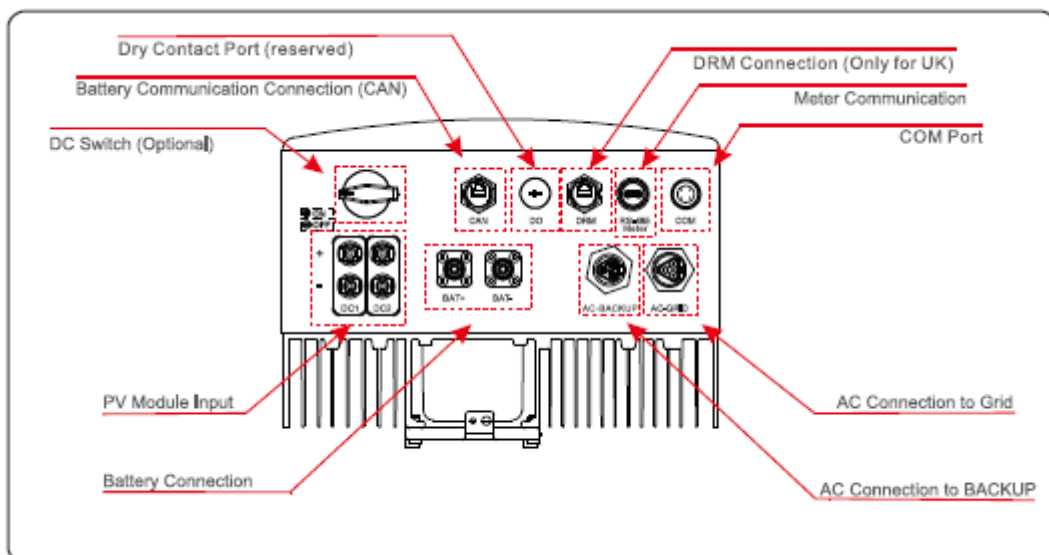
The keypad is used for:

Scrolling through the displayed options (the UP and DOWN keys); Access and modify the settings (the ESC and ENTER keys).



Terminal connections

The Autarco MH-MII Series inverter is different from the normal on-grid inverter, please refer to the instructions below before starting connection.



4 Installation

4.1 Select a Location for the Inverter

To select a location for the inverter, the following criteria should be considered:

Exposure to direct sunlight may cause output power derating. It is recommended to avoid installing the inverter in direct sunlight.

It is recommended that the inverter is installed in a cooler ambient which doesn't exceed 104F/40C.



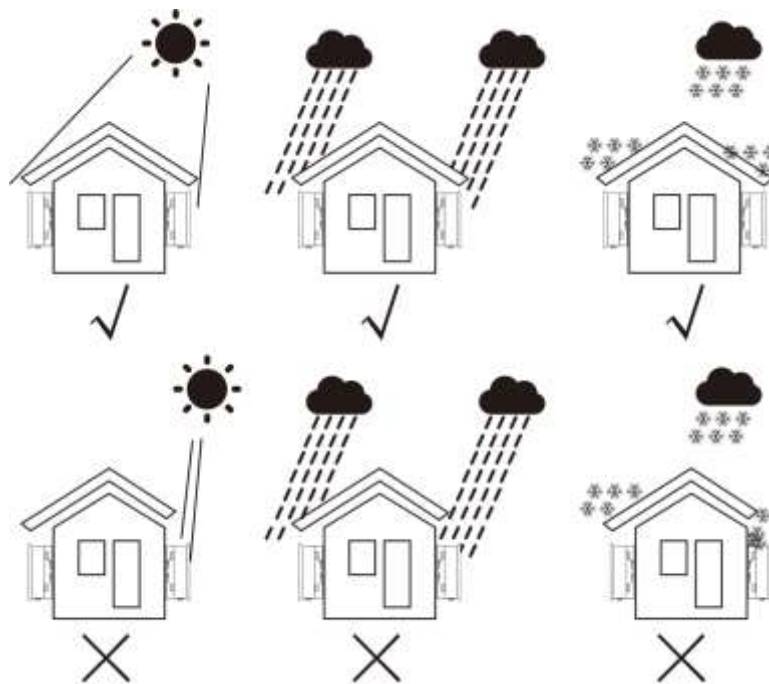
Warning:

Risk of fire Despite careful construction, electrical devices can cause fire.

Do not install the inverter in areas containing highly flammable materials or gasses.

Do not install the inverter in a potentially explosive atmosphere.

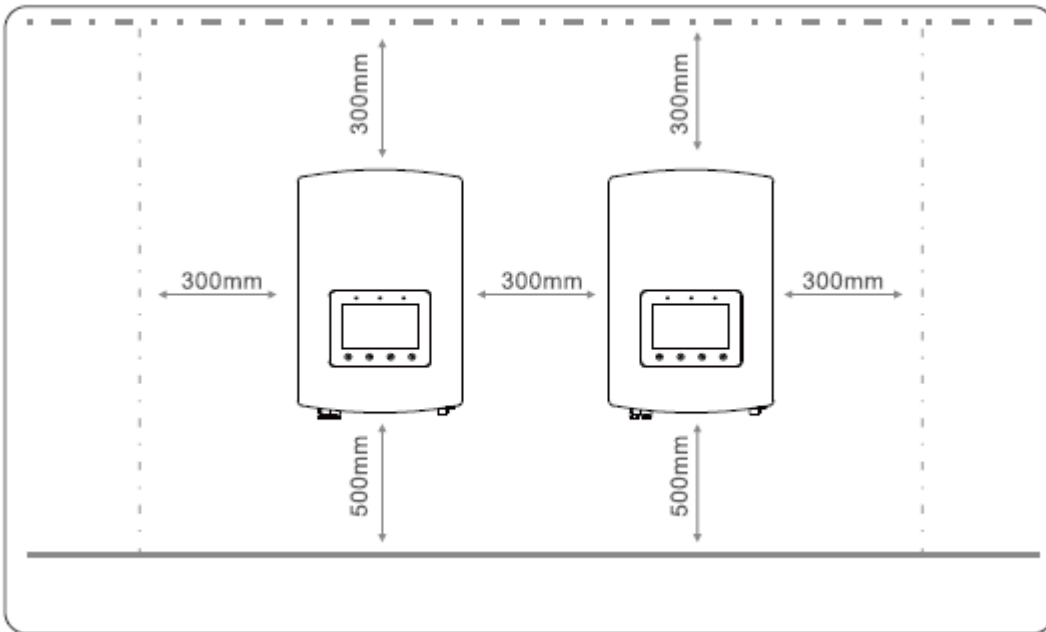
The mounting structure where the inverter is installed must be fireproof.



Install on a wall or strong structure capable of bearing the weight of the inverter (18.3kg).
Install vertically with a maximum incline of +/- 5 degrees; exceeding this may cause output power derating.

To avoid overheating, always make sure the flow of air around the inverter is not blocked.

A minimum clearance of 300mm should be kept between inverters or objects and 500mm clearance between the bottom of the inverter and the ground.



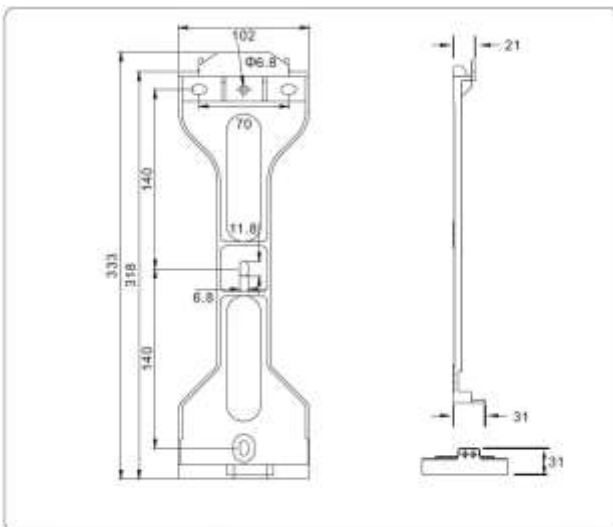
Visibility of the LEDs and LCD should be considered.
Adequate ventilation must be provided.



Note:
Nothing should be stored on or placed against the inverter.

4.2 Mounting of the inverter

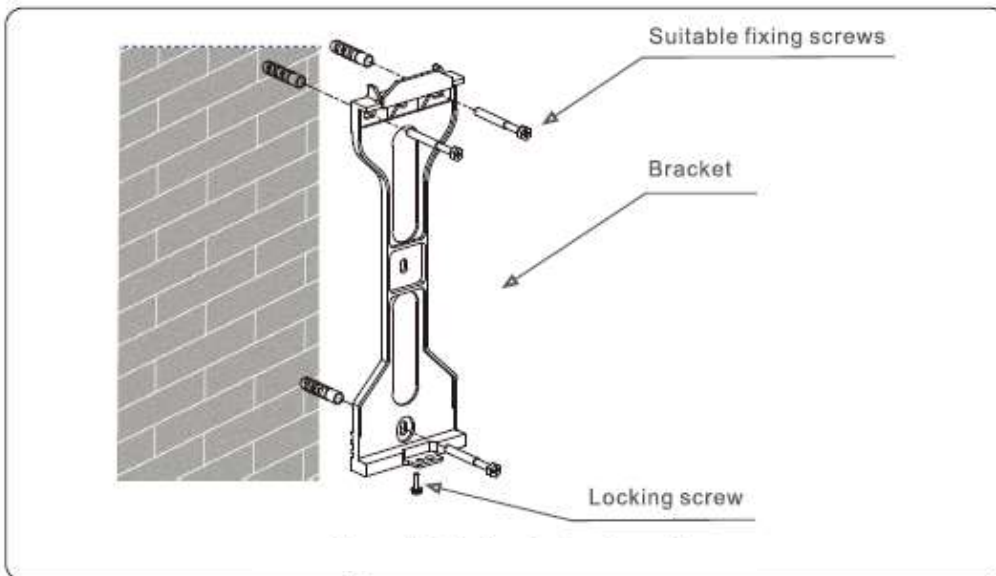
Dimensions of mounting bracket:



Once a suitable location has been found accordingly to 4.1 using figure 4.3 and figure 4.4 mount the wall bracket to the wall.

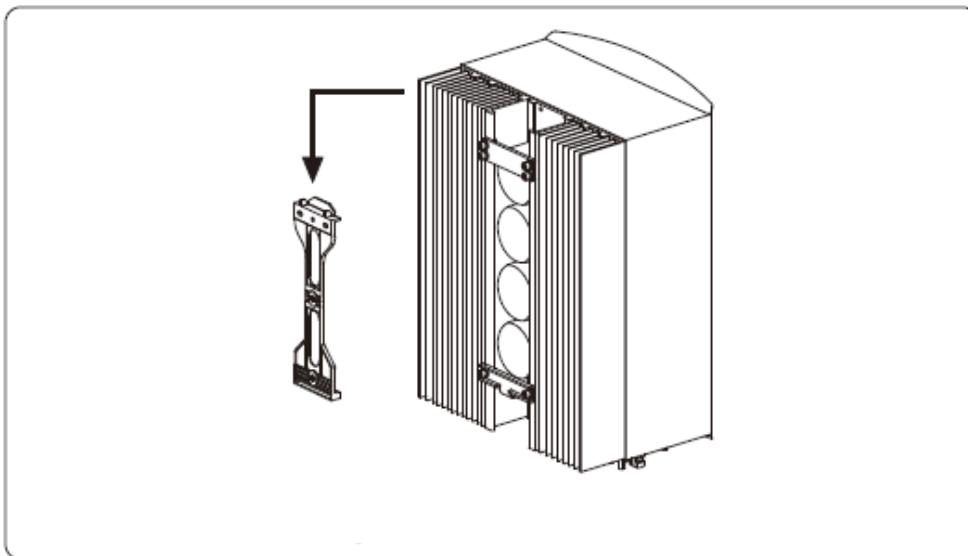
The inverter must be mounted vertically.
The steps to mount the inverter are listed below:

1. Select the mounting height of the bracket and mark the mounting holes.
For brick walls, the position of the holes should be suitable for the expansion bolts



2. Lift the inverter up (be careful to avoid body strain) and align the back bracket on the inverter with the convex section of the mounting bracket.

3. Hang the inverter on the mounting bracket and make sure the inverter is secure (see below)



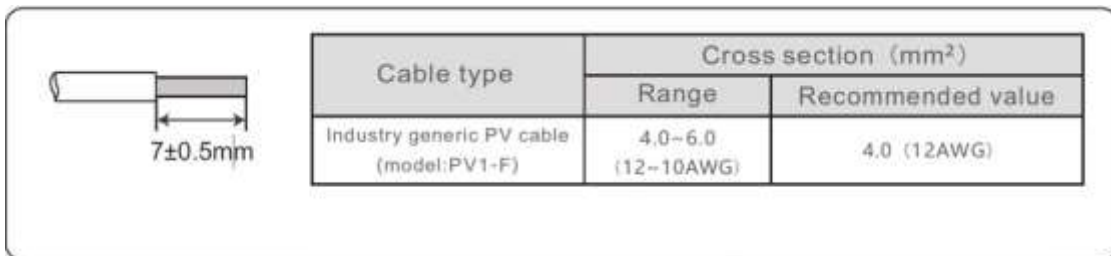
4.3 PV Input Terminal Assembly

Please ensure the following before connecting the inverter:

- Make sure the voltage of the PV string will not exceed the max DC input voltage (600Vdc). Violating this condition will void the warranty.
- Make sure the polarity of the PV connectors is correct.
- Make sure the DC-switch, battery, AC-BACKUP, and AC-Grid are all in their off-states.
- Make sure the PV resistance to ground is higher than 20K ohms.

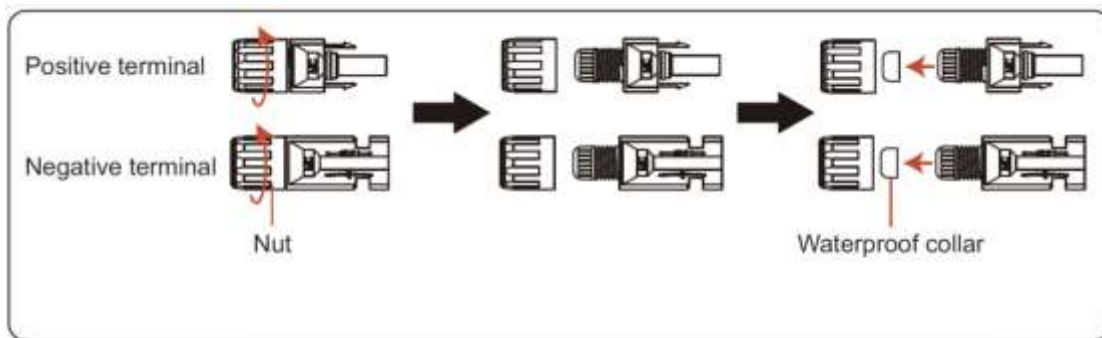
The Autarco MH-MII Series inverter uses MC4 connectors. Please follow the picture below to assemble the MC4 connectors.

1. Select a suitable DC cable and strip the wires out by $7\pm 0.5\text{mm}$. Please refer to the table below for specific specifications.

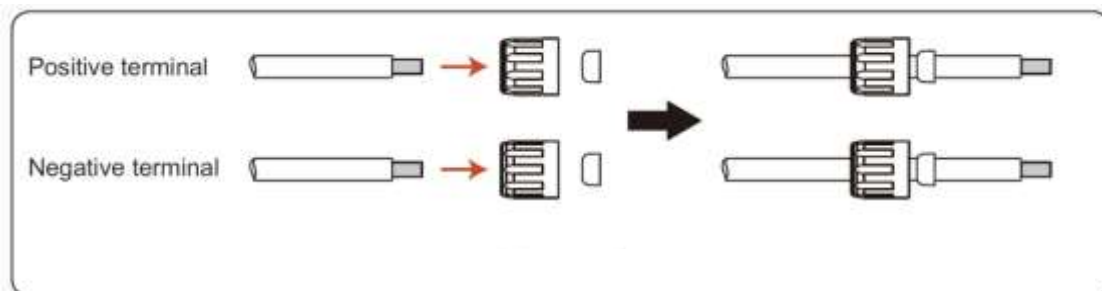


Cable type	Cross section (mm ²)	
	Range	Recommended value
Industry generic PV cable (model:PV1-F)	4.0~6.0 (12~10AWG)	4.0 (12AWG)

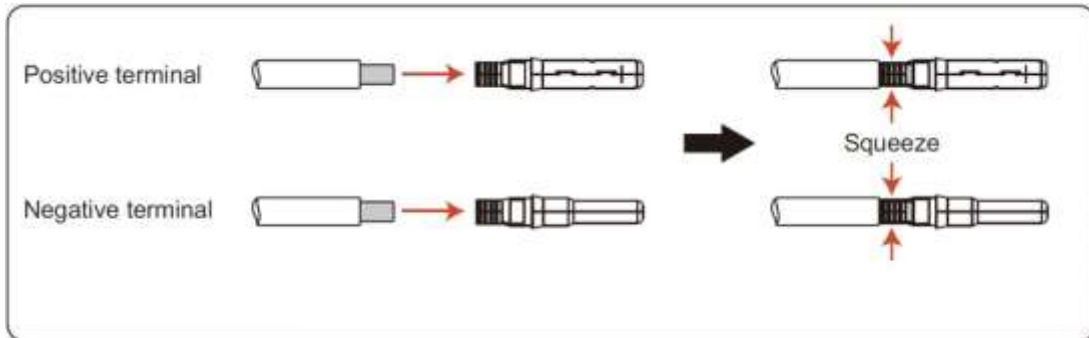
2. Take the DC terminal out of the accessory bag, turn the screw cap to disassemble it, and take out the waterproof rubber ring.



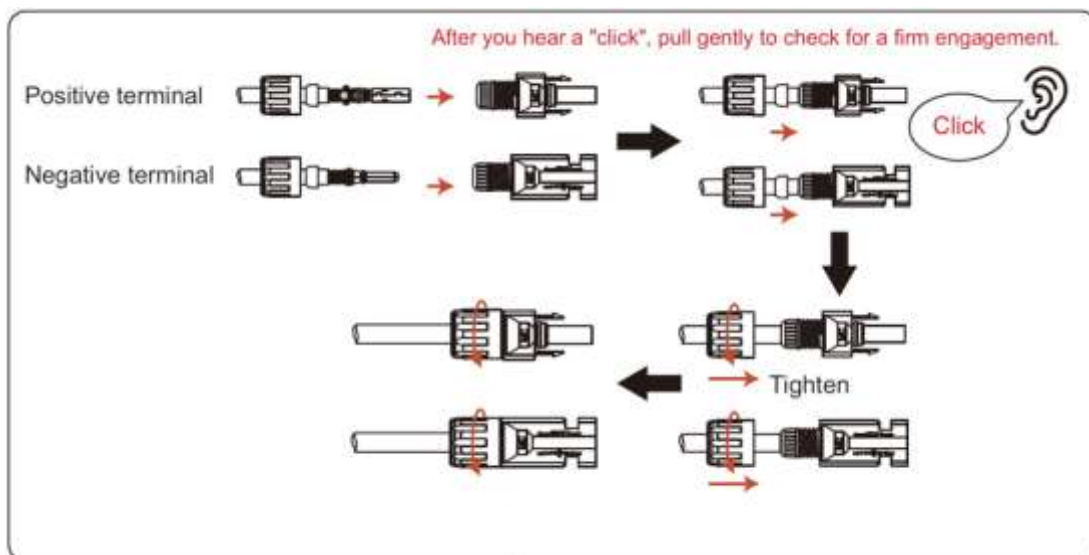
3. Pass the stripped DC cable through the nut and waterproof rubber ring.



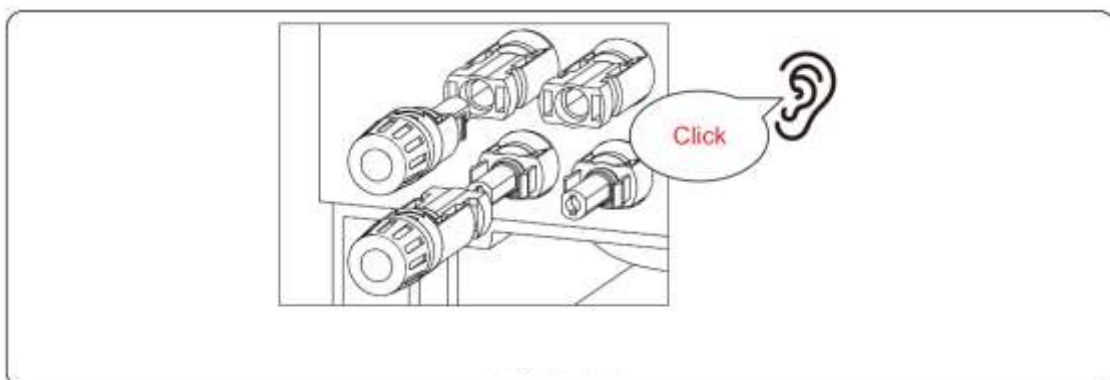
4. Connect the wire part of the DC cable to the metal DC terminal and crimp it with a special DC terminal crimping tool.



5. Insert the crimped DC cable into the DC terminal firmly, then insert the waterproof rubber ring into the DC terminal and tighten the nut.



6. Connect the wired DC terminal to the inverter as shown in the figure, and a slight "click" is heard to prove the connection is correct.





DANGER! Do not connect the strings with an open circuit voltage greater than the Max DC voltage of the inverter.



DANGER! For protection against electric shock, MC4 connectors must be isolated from the PV array while being assembled or disassembled.



DC connections must not be unplugged while under load. They can be placed in a no-load state by switching off the DC/AC converter or breaking the DC circuit interrupter. Plugging while under voltage is permitted.



CAUTION! MC4 connectors are watertight IP67 but cannot be used permanently under water. Do not leave MC4 connectors directly on the roof surface, but always tie them up.



If any tools or parts are used in the MC4 connector assembly other than those listed in the MC4 connector manual, neither safety nor compliance with the technical data can be guaranteed.

4.4 Battery Terminal Components

To avoid a DC Arc, Autarco recommends installing a suitable DC switch between batteries and Hybrid Inverter. The battery switch must have a rated current greater than or equal to 80A/125A (80A for 3K~3.6K Models, 125A for 4.6K~6K Models).
Ensure the correct polarity of batteries before connecting to the inverter.



WARNING:

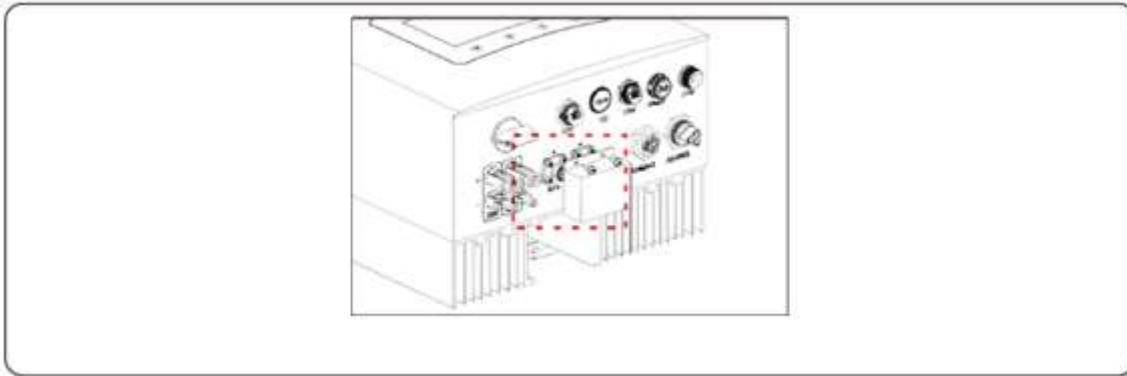
Power cables use water-proof AMPHENOL connectors. When pull out the power cable, you must press the button as indicated in the right figure.



Connect the Battery cable to the inverter and make sure the positive and negative poles are correct. A "Click" sound means full connection and fasten the cables with the terminal protection cover as indicated.



Note: Before connecting the battery, please carefully read the user manual of the battery and perform the installation exactly as the battery manufacturer requests



4.5 Assembling the AC-connector



DANGER! Never connect or disconnect the connectors under load.



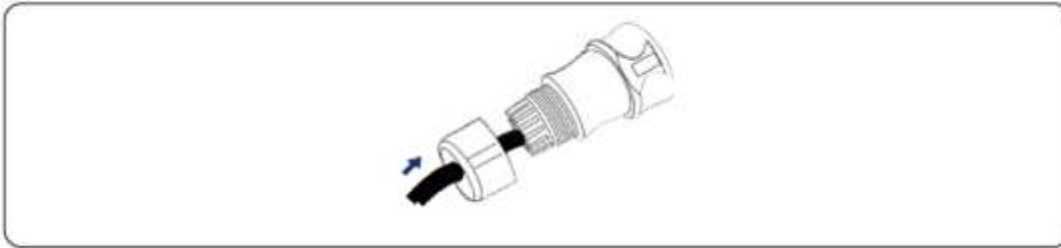
NOTICE! The AC connection to the electrical distribution grid must be performed only after receiving authorization from the utility that operates the grid.

There are two AC terminals on this inverter and the assembly steps for both are the same. Take out the AC connector parts from the packaging.

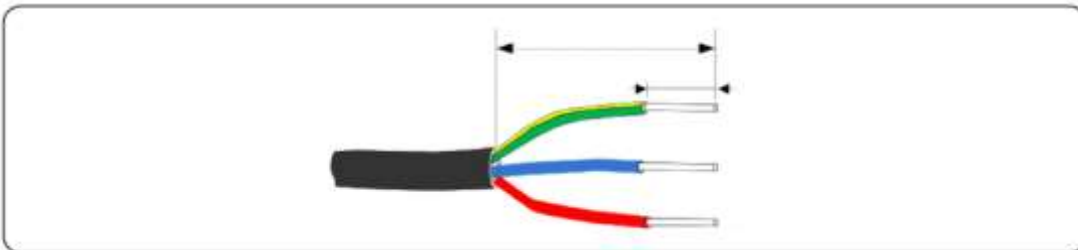
1. Make sure you use a cable within the correct specifications as shown in the image below.

Description	Numerical Value
Wire Diameter	10-12 mm
Traverse cross sectional area	2.5-6 mm ²
Exposure Length	13 m

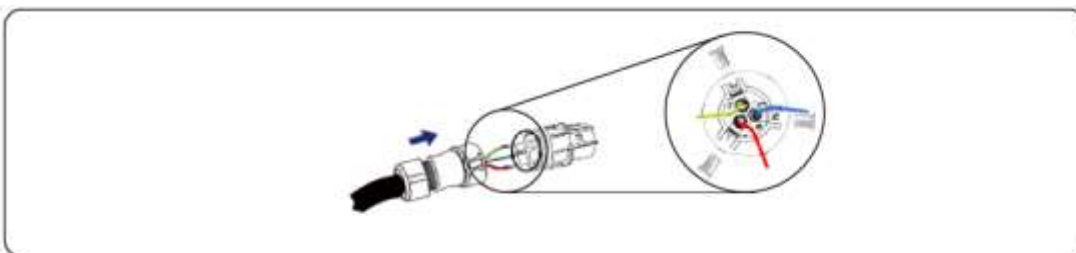
2. Lead the AC cable through the cable gland and the housing.



3. Remove a length of 40mm of the cable jacket and strip the wire insulation to a length of 8 – 15mm.



4. Each of the terminals are labeled. Ensure that the correct conductor is fastened (1.2 Nm torque) to the correct terminal.

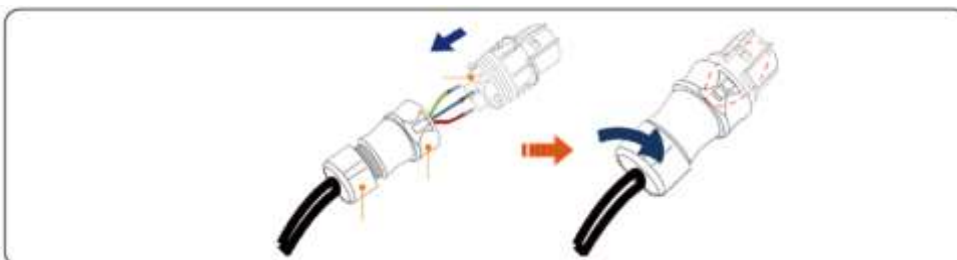


WARNING:

Observe the terminal layout of terminal block.

Do not connect the phase lines to "PE" terminal, otherwise the inverter will not function properly.

5. Make sure the rib of the terminal block and the groove on the housing engage perfectly until a "click" is heard.



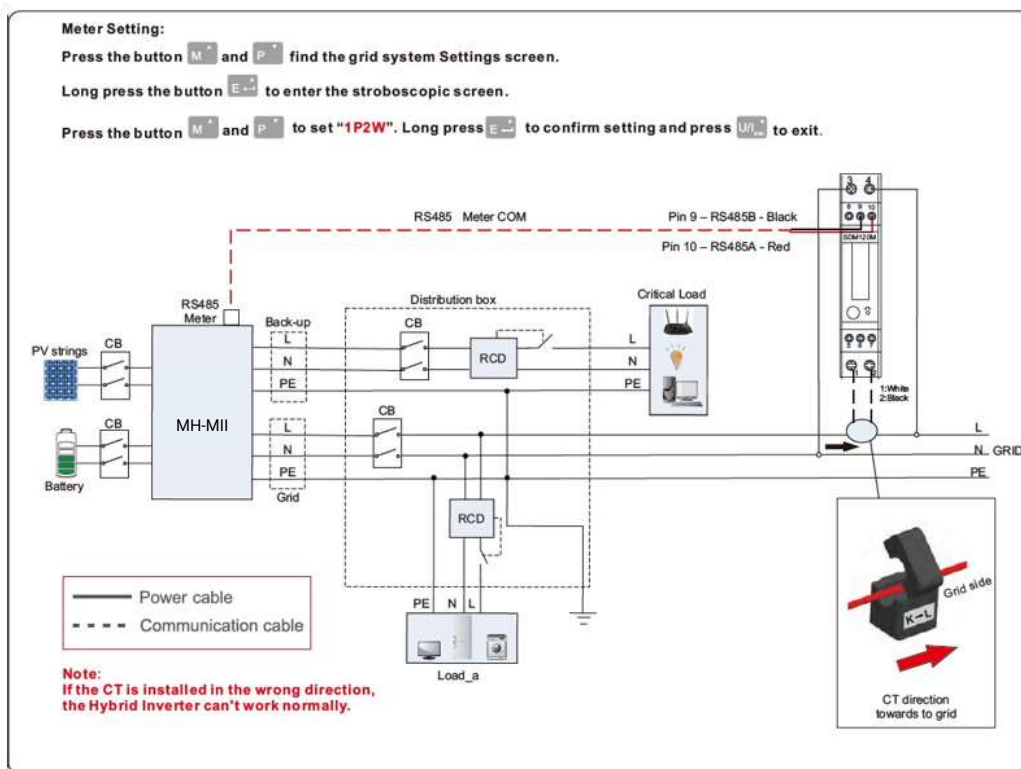
4.6 Meter Installation

Autarco MH-MII series inverter can be connected to Acrel meters or Eastron meters to fulfill the control logic of the self-consumption mode, export power control, monitoring, etc.

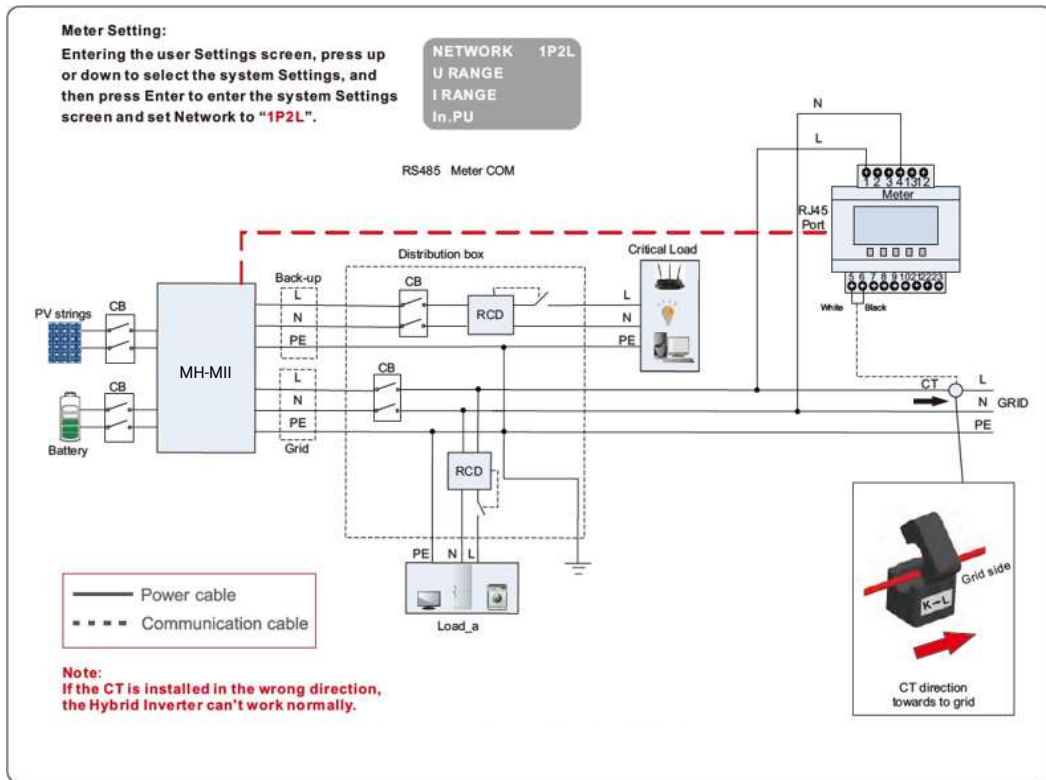
- Acrel 1ph meter (With CT): ACR10R-D16TE
- Acrel 3ph meter (With CT): ACR10R-D16TE4 (Optional)
- Eastron 1ph meter (Direct Insert): SDM120M
- Eastron 1ph meter (With CT): SDM120CTM
- Eastron 3ph meter (Direct Insert): SDM630M (Optional)
- Eastron 3ph meter (With CT): SDM630MCT (Optional)

The section below describes the connection diagram of the meters specified above.

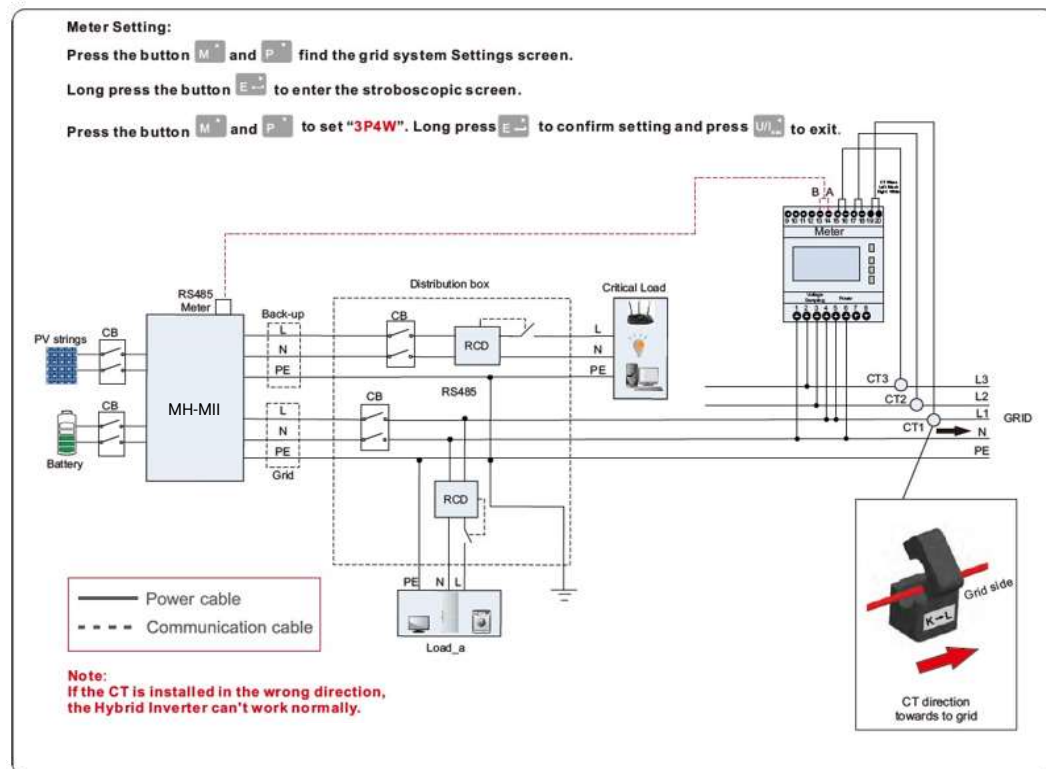
4.6.1 Single phase meter installation (Eastron SDM120CT)



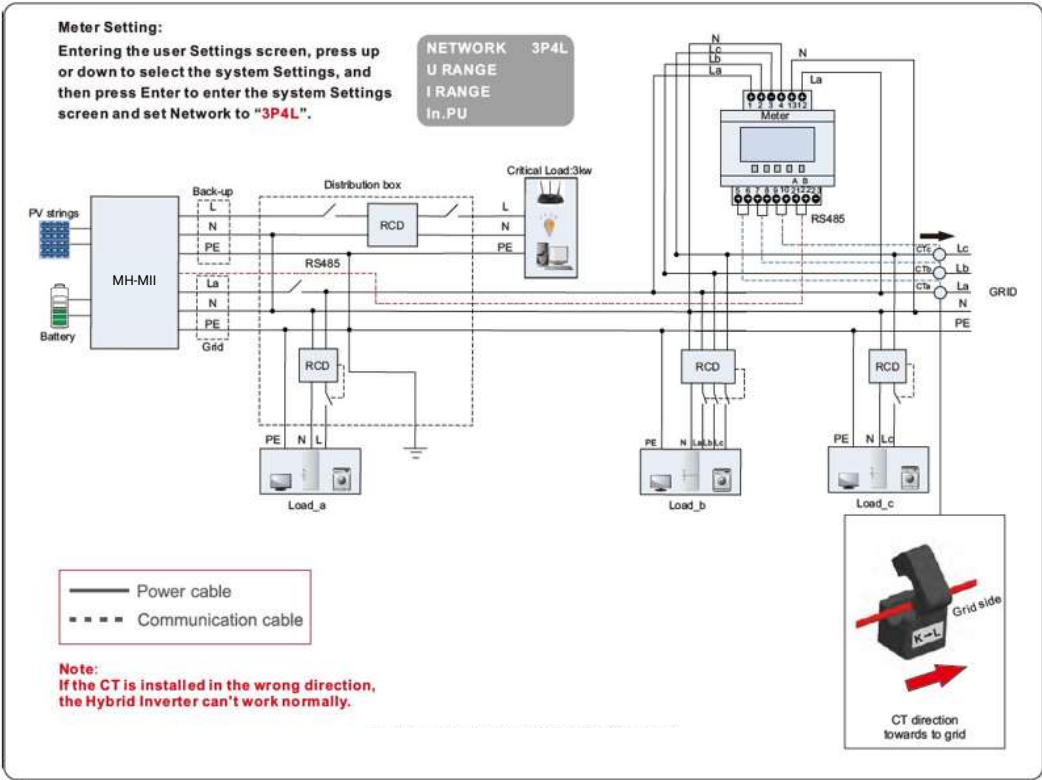
4.6.2 Single phase meter installation (Acrel ACR10R-16DTE)



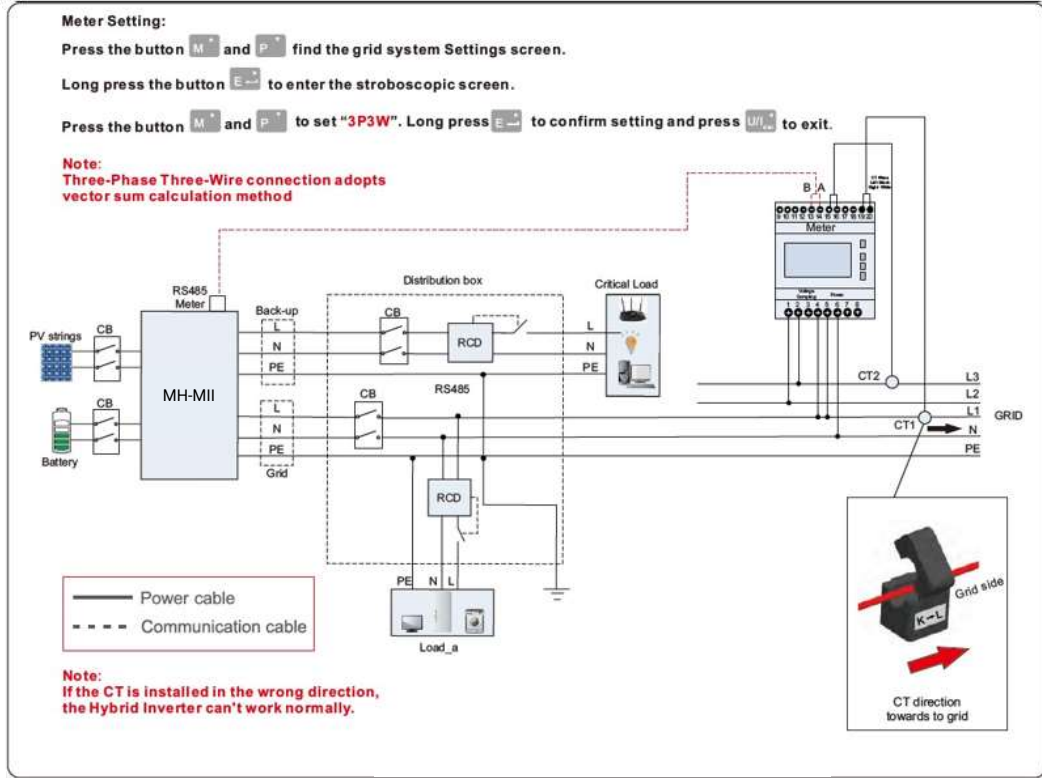
4.6.3 Three phase four wire meter installation (Eastron SDM120CT)



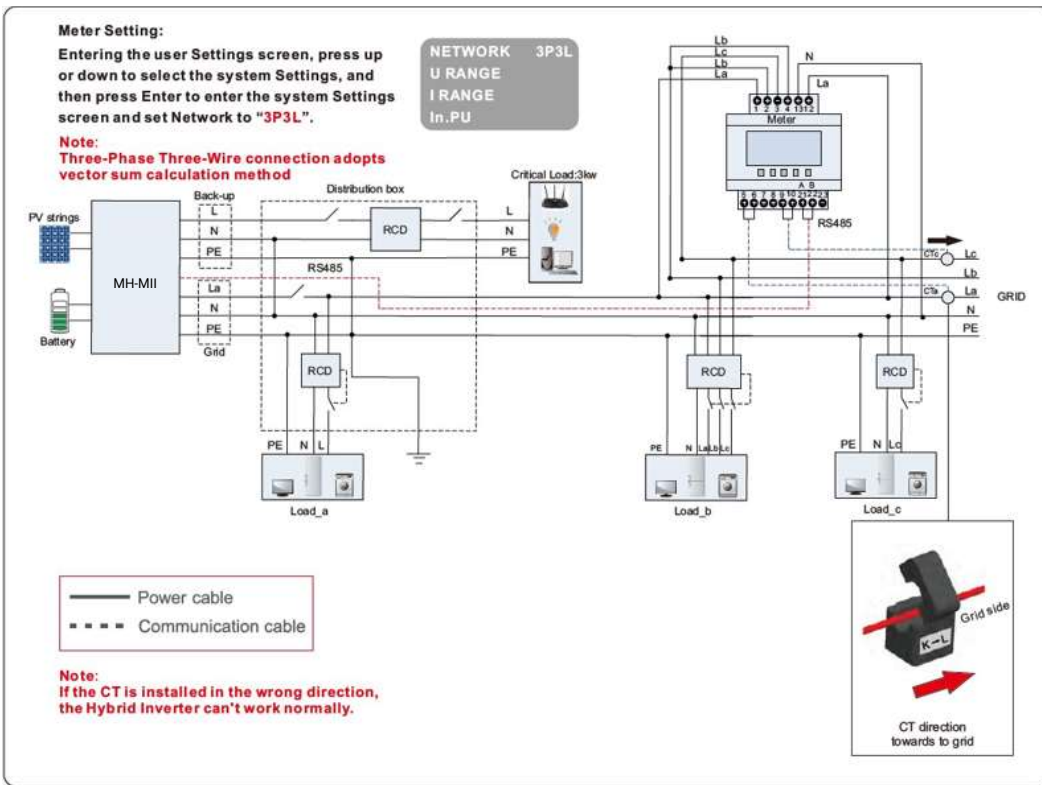
4.6.4 Three phase four wire meter installation (Acrel ACR10R-16DTE)



4.6.5 Three phase three wire meter installation (Eastron SDM120CT)

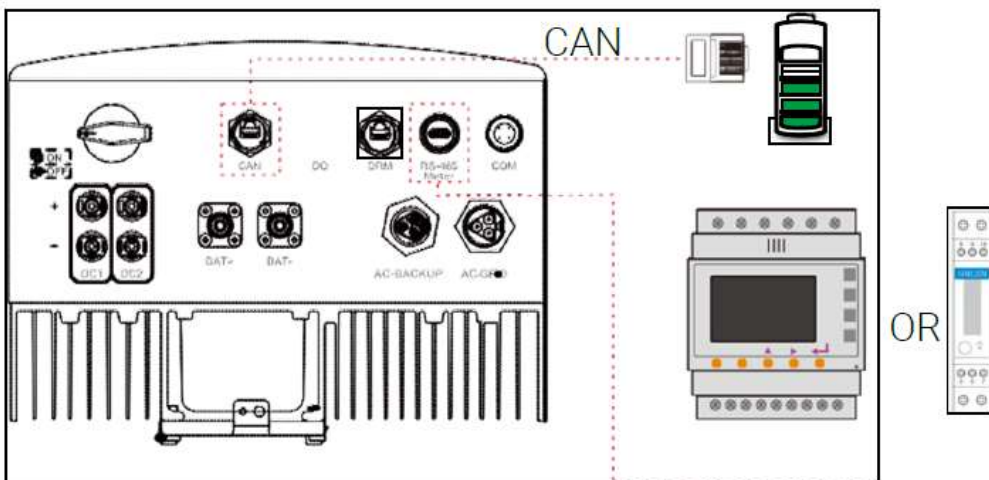


4.6.6 Three phase three wire meter installation (Acrel ACR10R-16DTE)



4.7 Communication Cable Assembly

The MH-MII series inverter uses RS485 cable to communicate with the meter and CAN to communicate with the battery's BMS. The image below shows the assembly of the RS485/CAN communication cables.





Note:
The CAN-cable enables communication between the inverter and the Lithium-Ion batteries.

Procedure for connecting the CAN cable:

Take out the CAN cable (terminal marks 'CAN' on one end and 'to Battery' on the other end).
Unscrew the swivel nut from CAN port.
Insert the RJ45 terminal with CAN label into the CAN port, then fasten the swivel nut.
Connect the other end to the battery.



Note: Lead-Acid and other older-technology battery types require experienced and

precise design, installation and maintenance to work effectively.

For MH-MII series inverters there is no temperature compensation, thus client need BTS (battery temperature sensor) which is connected to CAN port at one side and battery negative pole at the other side.

BTS is optional. For further information please contact the sales manager. For lead-acid battery, battery SOC calculation may not be accurate according to battery inconformity between cells, battery aging or other specifications of lead-acid battery etc.

Note: For CAN cable pin 4 (blue) and pin 5 (white-blue) are used for the communication.

Procedure for connecting the RS485 cable:

Take out the RS485 cable (terminal marks 'RS485' on one end and 'to Meter' on the other end).
Unscrew the swivel nut from RS485 port.
Insert the Two-pin terminal with RS485 label into the RS485 port, then fasten the swivel nut.
Connect the other end to the Meter.

4.8 External Ground Connection



DANGER! Never connect or disconnect the connectors under load.



NOTICE! The AC connection to the electrical distribution grid must be performed only after receiving authorization from the utility that operates the grid.



NOTICE! Make sure to set the correct grid standard as part of system commissioning, see chapter 6.2.

There are two options for ground protection: through grid terminal connection and external heat sink connection.

If AC terminal is used to connect ground, please refer to the contents of chapter 4.5.

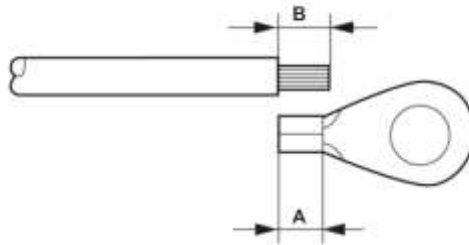
If the heat sink is used to connect the ground, please follow the steps below.

- 1) Prepare the grounding cable: recommended to use the 16-35mm² outdoor copper-core cable.
- 2) Prepare OT terminals M4



WARNING! No matter what kind of grounding connection is adopted, it is strictly forbidden to connect the ground of the inverter with the lightning protection of a building, otherwise Autarco will not be responsible for any damage caused by lightning.

- 3) Strip the grounding cable insulation to the suitable length as shown in Figure 5.7.

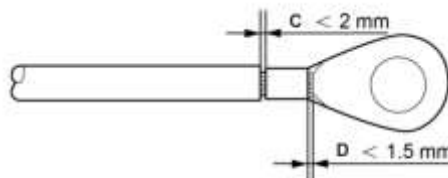


▲ Figure5.7 suitable length



IMPORTANT! B (insulation stripping length) is 2-3mm longer than A (OT cable terminal crimping area)

- 4) Insert the stripped wire into the OT terminal crimping area, and use an hydraulic clamp-tool to crimp the terminal to the wire (as shown in Figure 5.8).

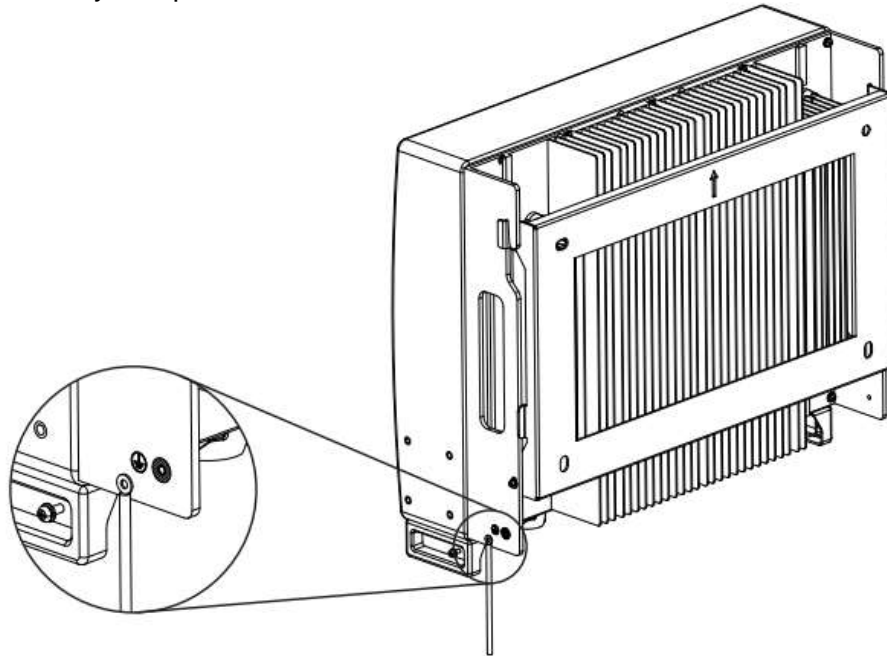


▲ Figure5.8 strip wire



IMPORTANT! After crimping the terminal to the wire, inspect the connection to ensure the terminal is solidly crimped to the wire.

- 5) Remove the screw from the heat sink ground point
- 6) Use the screw of the ground point to attach the grounding cable (as shown as in Figure 5.9). Tighten the screw securely. Torque is 2 Nm.



4.9 Logic interface connection

Logic interface is required by some local regulations that can be operated by a simple switch or contactor (Not available in South Africa).

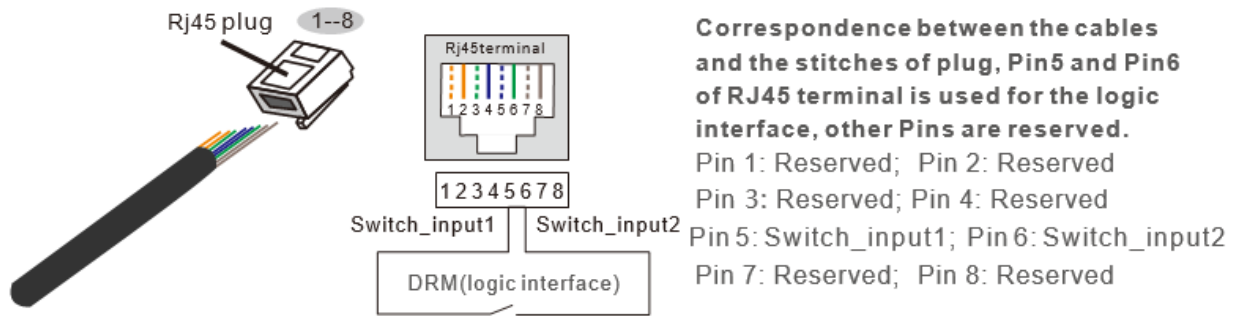
When the switch is closed the inverter will operate normally. When the switch is opened, the inverter will reduce it's output power to zero within 5s.

Pin5 and Pin6 of RJ45 terminal are used for the logic interface connection.

Please follow the steps below to assemble RJ45 connector.

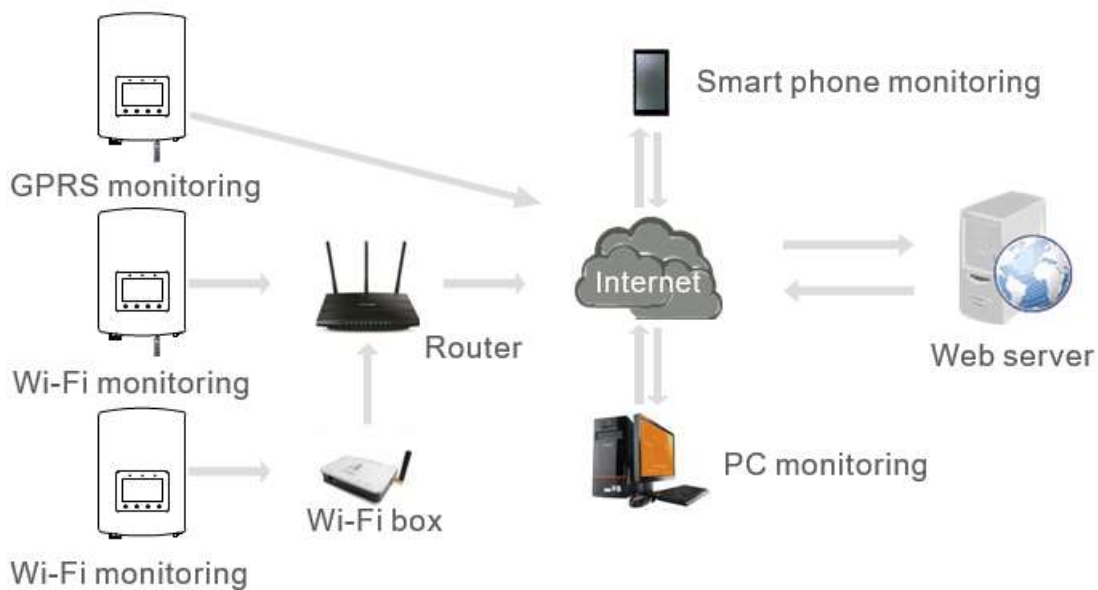


1. Insert the network cable into the communication connection terminal of RJ45.
2. Use the network wire stripper to strip the insulation layer of the communication cable. According to the standard line sequence connect the wire to the plug of RJ45, and then use a network cable crimping tool to make it tight.
3. Connect RJ45 to DRM (logic interface) . To use this function, please contact Autarco.



4.10 Inverter Monitoring Function

The inverter can be monitored via Wi-Fi, GPRS or Ethernet.
 All Autarco communication devices are optional. For connection instructions, please refer to the Autarco Monitoring Device installation manuals.



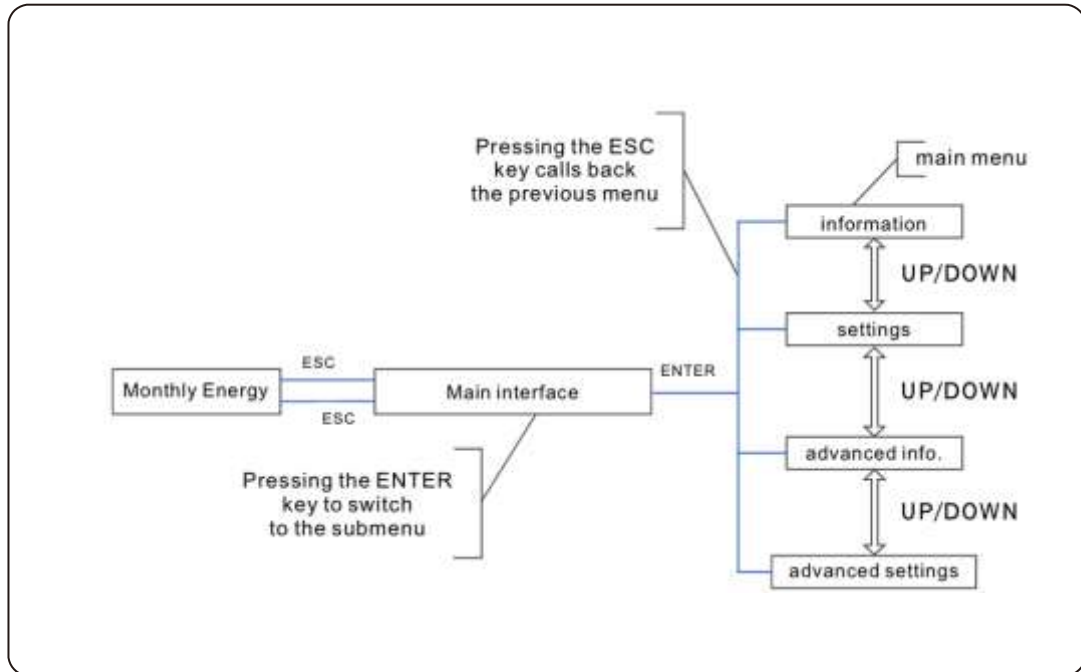
4.11 Status LED indicators

There are three LED status indicator lights at the front panel of MH-MII series inverters. The left POWER light (red) indicates power status of the inverter. The middle OPERATION light (green) indicates the operation status. The right ALARM light (yellow) indicates the alarm status. Table 3.1 explains their meanings.

Light	Status	Description
● POWER (red)	ON	The PV array provides power to the inverter
	OFF	The PV array does not provide power to the inverter
● OPERATION (green)	ON	The inverter is feeding AC power to the grid
	OFF	The inverter is not feeding AC power to the grid
	FLASHING	The inverter is initializing
● ALARM (yellow)	ON	There is a fault. Refer to the inverter display and chapter 8 of this manual for details
	OFF	The inverter is operating normally

When the inverter DC switch and AC switch have been turned on the inverter will start initializing. After approx. 3 minutes the inverter will start normal operation with the inverter display showing GENERATING.

5 Operation

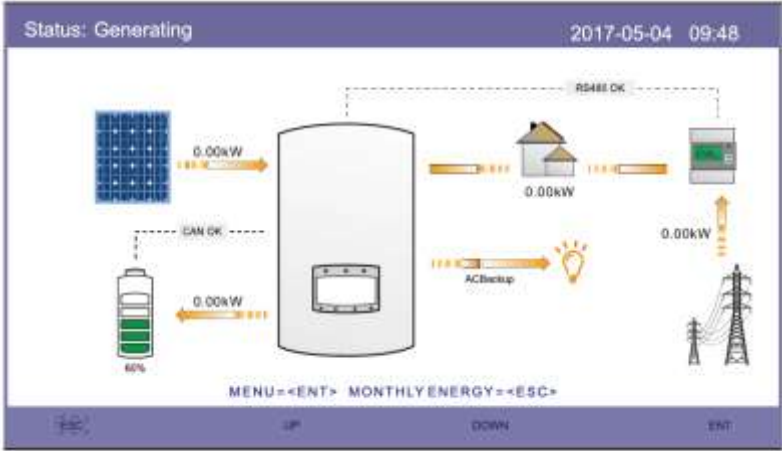


5.1 Initial Display

When powering up the inverter for the first time, it is required to set the language. Press "ENT" to select.



After setting the language, press "ESC" to access the main page.



On the main page:

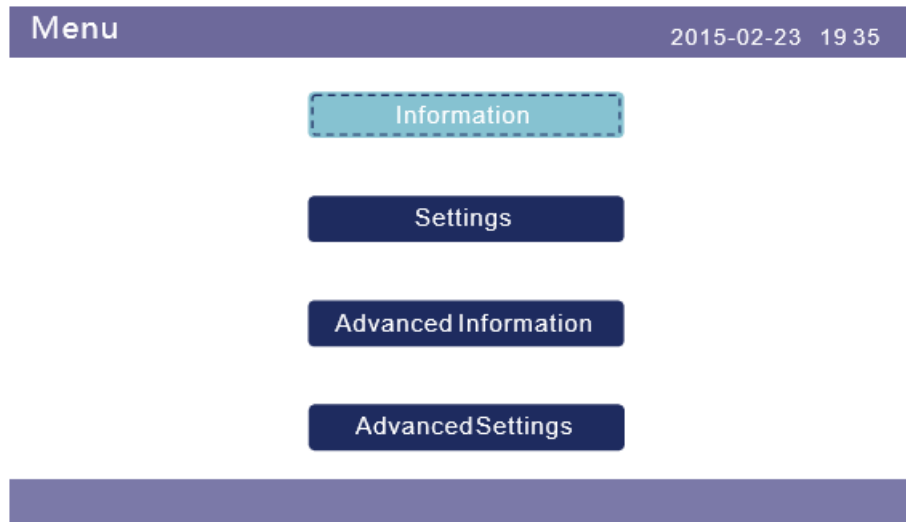
- Press "ESC" : View the yield data on monthly bar charts. Then use "UP" and "DOWN" to change the date and "ENT" to move the cursor.
- Press "UP" or "DOWN": View different status on the top left of the main page.
- Press "ENT": Enter the main menu.

	Solar Power: When solar power is generated, an arrow indicates the direction of the power flow, and the value is shown above the arrow.
	Battery: When the battery is connected successfully, it will display "CAN OK", meanwhile, battery SOC, arrow and value of power flow is shown. Otherwise, it will display "CAN Fail".
	Non-Critical Loads: Loads connected to the AC Grid port which will shutdown if the grid is in malfunction.
	Smart Meter: When the smart meter is connected successfully, it will display "RS485 OK", otherwise "RS485 Fail".
	Critical Loads: Loads connected to the AC Backup port which will be supported by battery and solar even if the grid is malfunction.
	Grid: The arrow and value indicate the export/import power of the hybrid system.

5.2 Main Menu

There are 4 submenu's in the Main Menu:

1. Information
2. Settings
3. Advanced Information
4. Advanced Settings

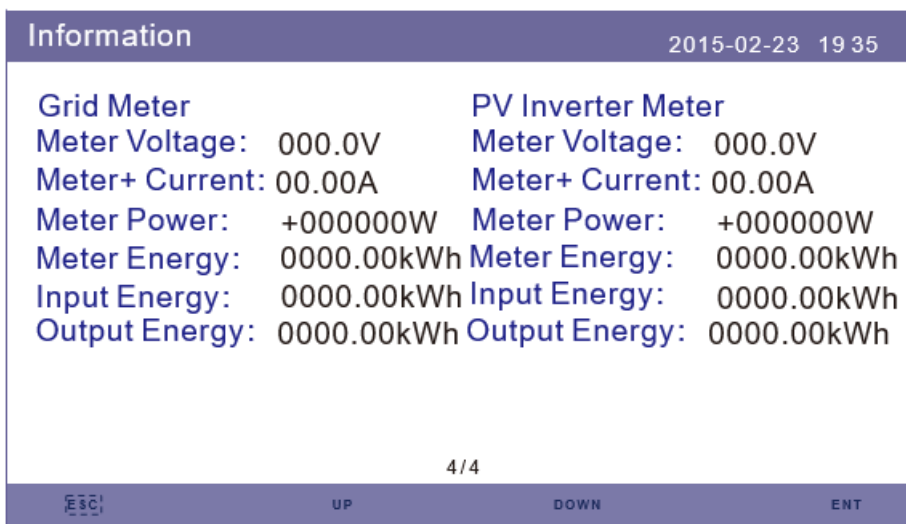
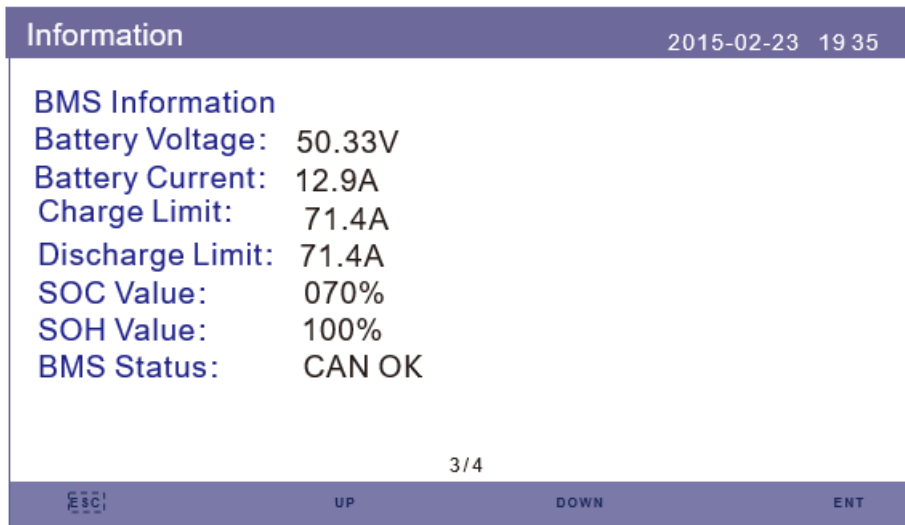


5.3 Information

In the "Information" section, operating data and information can be viewed. Three pages of information can be checked by press "UP" or "DOWN". The example display is shown in the following Figure 5. Values are for reference only.

Information		2015-02-23 19 35	
Solar Power:	02890W		
Solar Voltage1:	345.1V	Solar Current1:	4.2A
Solar Voltage2:	354.3V	Solar Current2:	4.1A
Grid Voltage:	221.5V	Grid Power:	+02259W
Battery Voltage:	050.6V	Grid Frequency:	50Hz
Backup Voltage:	000.0V	Charg Power:	+00516W
DRM NO.:			
1/4			
	UP	DOWN	ENT

Information		2015-02-23 19 35	
Total Energy:	0000075kWh	Device Status:	<u>Generating</u>
This Year:	0000033kWh	Battery Status:	Normal
Last Year:	0000002kWh	Backup Status:	Normal
This Month:	0016kWh	Grid Status:	Off Grid Mode
Last Month:	0008kWh		
Today:	0004.6kWh		
Yesterday:	00009.7kWh		
Inverter SN:	FFFFFFFFFFFFFFFF		
2/4			
	UP	DOWN	ENT



NOTE:

Meter Power/Grid Power: Positive value indicates exporting power to the grid, negative value indicates importing power from the grid

Charge Power: Positive value indicates charging, negative value indicates discharging

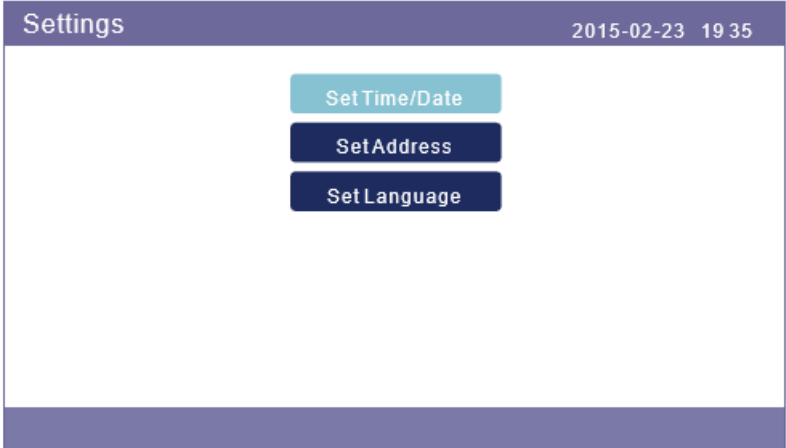
NOTE:

Information for "PV Inverter Meter" is only available when two Eastron meters are used and Meter Placement is selected as "Grid+PV Meter".

Details please consult Autarco service department.

5.4 Settings

In the "Settings" section, Time/Date, Slave address and language can be modified.

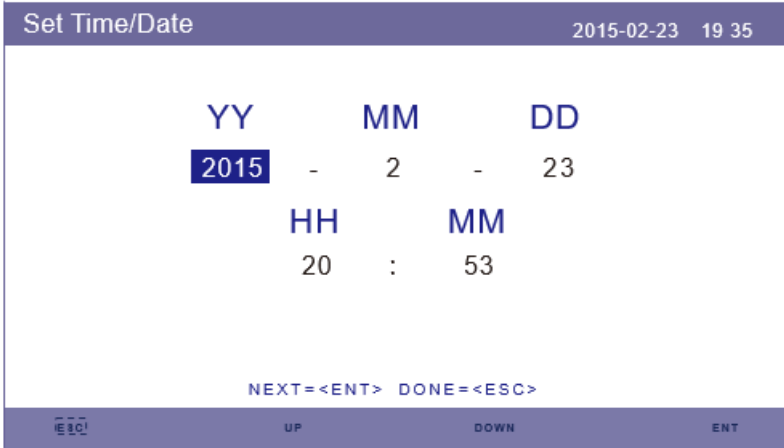


5.4.1 Set Time/Date

Set the time and date on the inverter. Must set this according to local time as it affects the daily yield calculation. (If Autarco monitoring system is used, you can set the correct time zone of the system, but it is necessary. MyAutarco will update the inverter time based on the time zone of the system.)

Press "UP" and "DOWN" to change the value. Press "ENT" to mover the cursor.

Press "ESC" to save the change



5.4.2 Set Address

Set the slave address of the inverter. The default address is 01



5.4.3 Set Language

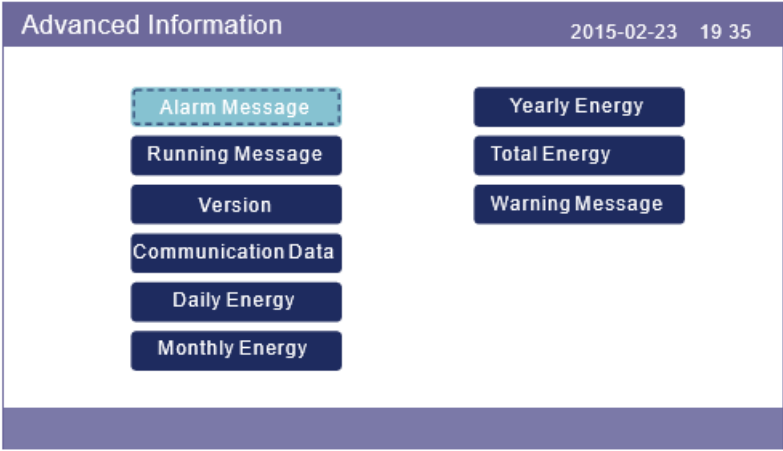
Set system language. English is default



5.5 Advanced Information

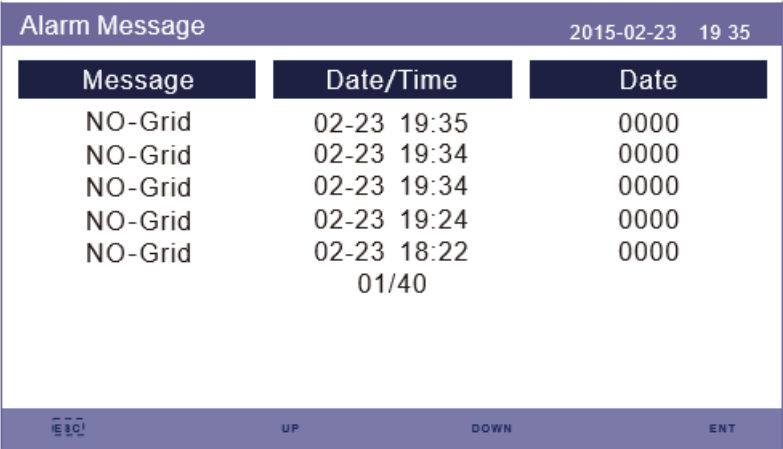
Detailed information can be viewed in this section

- 1. Alarm Message
- 2. Running Message
- 3. Version
- 4. Communication data
- 5. Daily Energy
- 6. Monthly energy
- 7. Yearly Energy
- 8. Total Energy
- 9. Warning message



5.5.1 Alarm message

There are 40 pages with the latest alarm messages (5 per page). Alarm messages shows also the alarm that will lead to inverter shutdown.



Message	Date/Time	Date
NO-Grid	02-23 19:35	0000
NO-Grid	02-23 19:34	0000
NO-Grid	02-23 19:34	0000
NO-Grid	02-23 19:24	0000
NO-Grid	02-23 18:22	0000
	01/40	

5.5.2 Running message

This function is for a maintenance person to get running message such as internal temperature, Standard NO. etc. (Values are for reference only)

Running Message		2015-02-23 19 35
DC Bus Voltage:	410.7V	
Reactive Power Ratio:	+1.00	
Output Power Limit:	100%	
Control Word Status:	0000H	
Inverter Temperature:	+0031.6degC	
Standard:	G59/3	
Grid Filter NO.:	00	
Ground Voltage:	000.0V	
Battery Enable:	Disable	

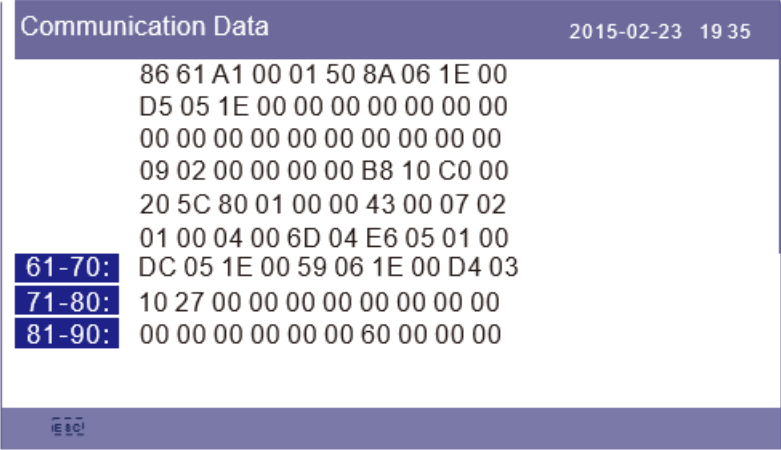
5.5.3 Version

Inverter model and firmware version can be viewed in this section. (Values are for reference only).

Version		2015-02-23 19 35
Model:	F8	
Software Ver.:	140000	

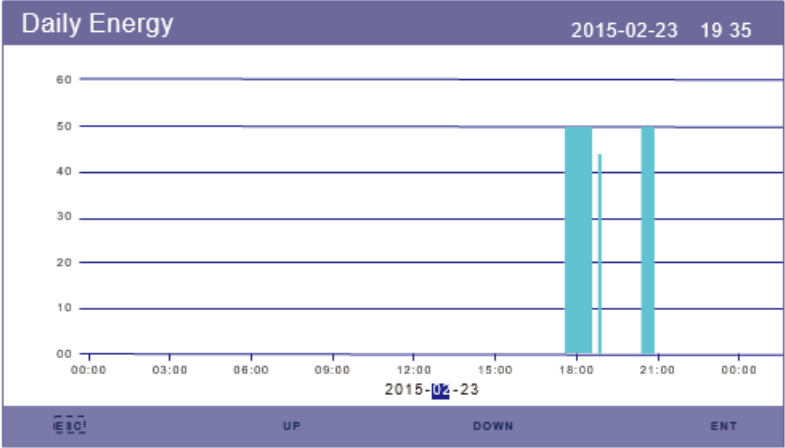
5.5.4 Communication data

Internal communication data can be viewed in this section. For maintenance person only. (Values are for reference only).



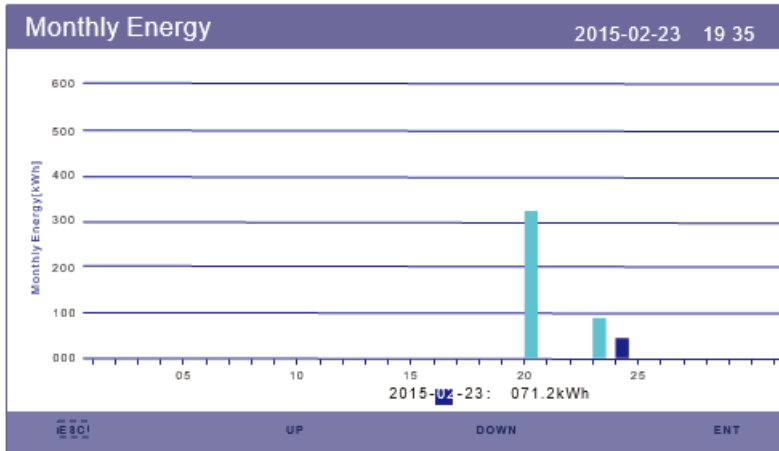
5.5.5 Daily energy

The screen shows the daily energy detail of the inverter



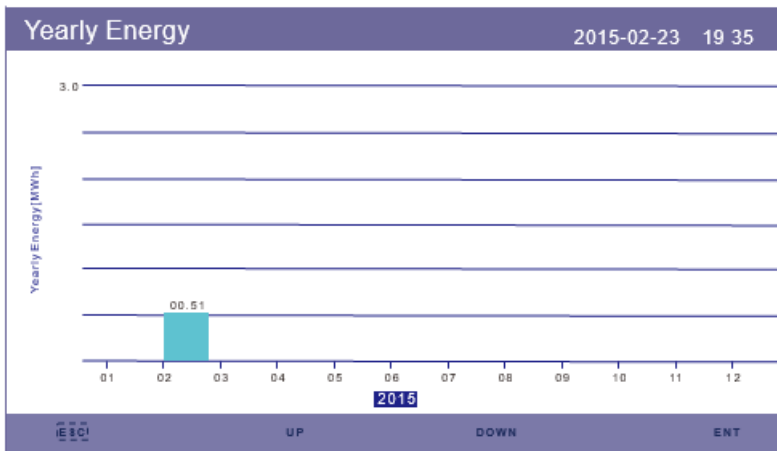
5.5.6 Monthly energy

The screen shows the inverter monthly energy detail of different month.



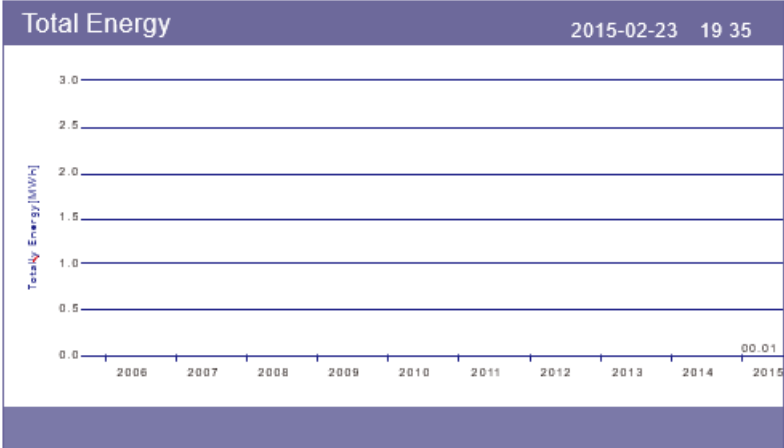
5.5.7 Yearly Energy

The screen shows the inverter yearly energy detail of consecutive years.



5.5.8 Total Energy

The screen shows the inverter total energy detail.



5.5.9 Warning message

10 pages of latest warning messages (5 per page).
Warning message shows the warning that is abnormal but will not lead to inverter shutdown

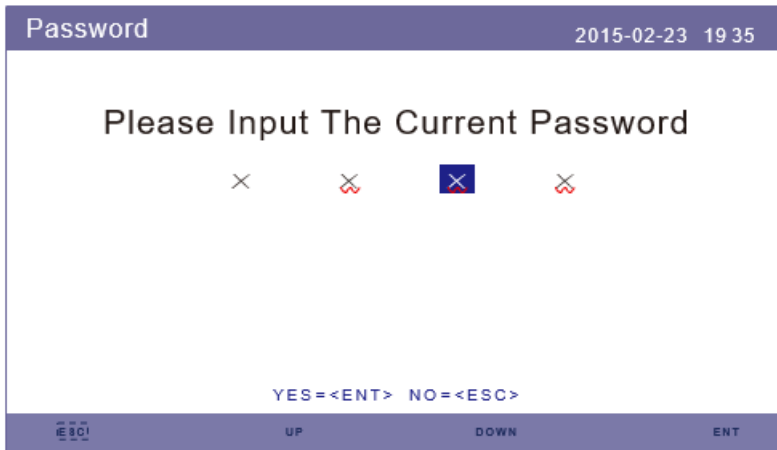
The figure shows a screen titled "Warning Message" with a date and time stamp of "2015-02-23 19 35". It features a table with three columns: "Message", "Date/Time", and "Data". The table is currently empty, displaying "NO message." in the center. At the bottom of the screen, there are navigation icons: a menu icon, "UP", "DOWN", and "ENT".

5.6 Advanced Settings

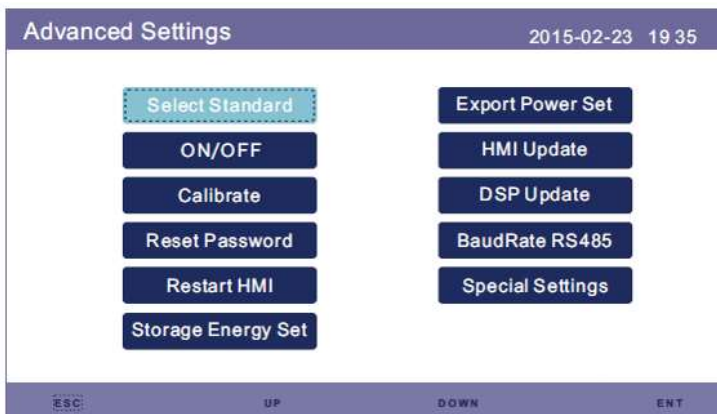


WARNING! Access to this section of the menu is for Autarco qualified and accredited technicians only. Unauthorized access will void the product warranty and any kWh Guarantee.

Select Advanced Settings from main menu, the LCD screen is asking for the password.

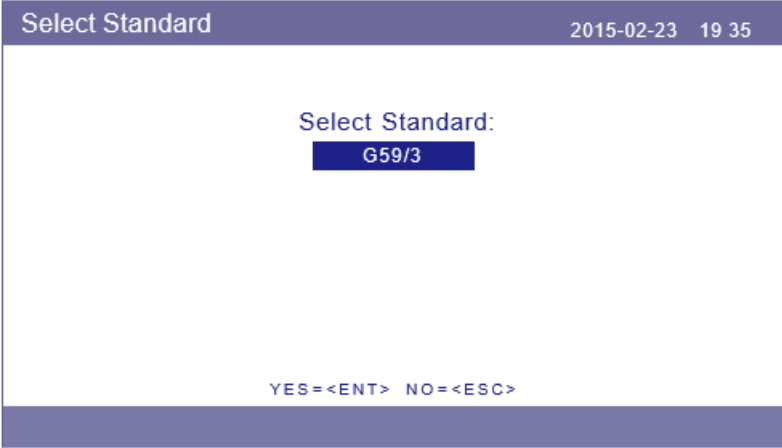


Press "DOWN" to move the cursor.
 Press "UP" to change the number.
 Press "ENT" to enter the restricted section



5.6.1 Select standard

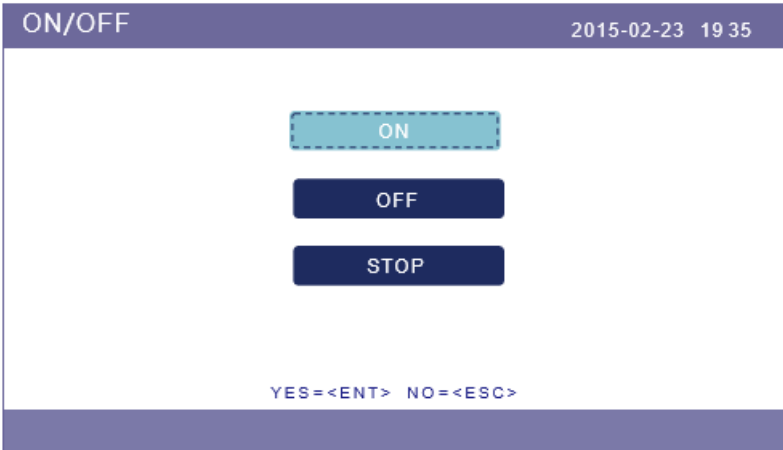
This function is used to select the correct local grid-code/standard. Please refer to the actual LCD setting for the grid standard options. A relevant list is supplied at the end of this document.



Press "UP" and "DOWN" to go through the list.
Press "ENT" to check the parameters, press "ENT" again to select the standard.

5.6.2 ON/OFF

This function is used to start or stop the generation of the inverter.



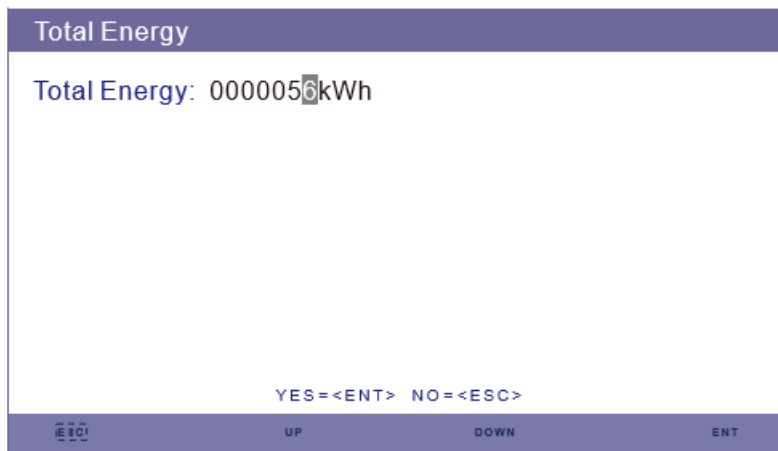
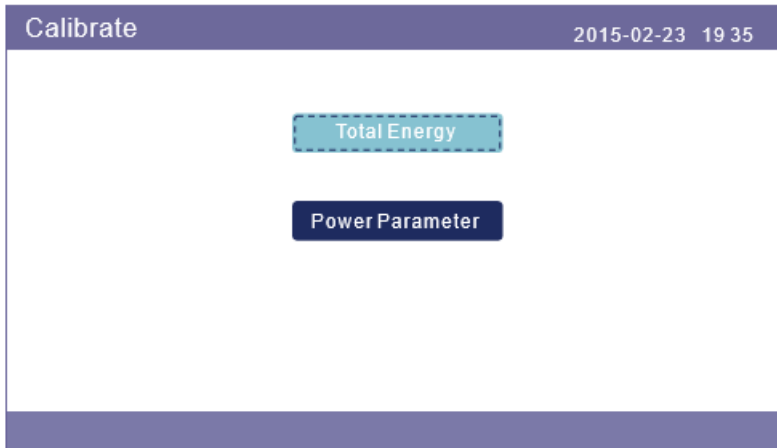
Warning: Please check if the grid code setting comply with local requirements.

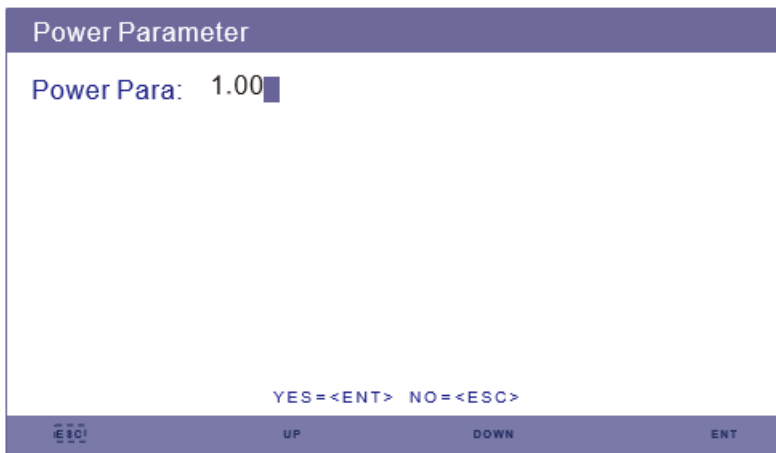
5.6.3 Calibrate energy

Warranty or maintenance may result in resetting total generated data.

This function allows maintenance personnel to amend the total generating data of replacement inverter to the original one.

By using our data monitoring hardware, the data on monitoring website can automatically synchronize with the preset total generating power of inverter. Making unallowed changes to this field may void the kWh-guarantee.





5.6.4 Reset password

Reset Password: On this page, a user can reset the inverter password. Note that the admin password remains always valid.

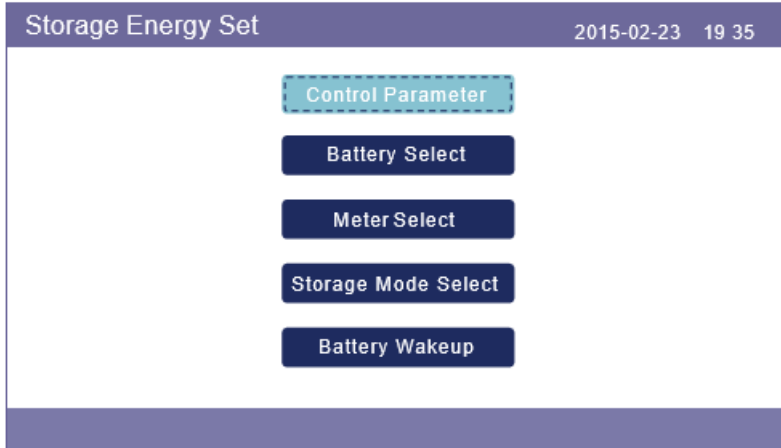


5.6.5 Restart HMI

This function is to reboot the LCD screen.

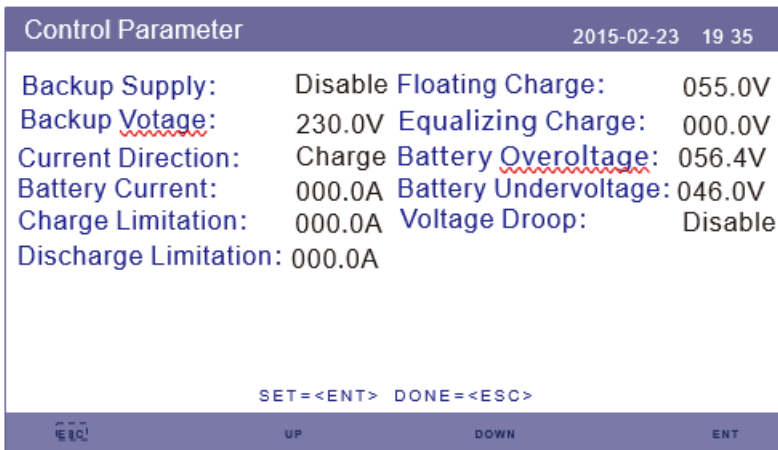
5.6.6 Storage Energy Set

This section contains working mode setting, battery control setting etc.



5.6.6.1 Control parameter

Enter the Control Parameter menu as shown below:
 Don't change the settings without the permission of technicians.



5.6.6.2 Battery Select

This product is compatible with multiple battery models. Please refer to the latest compatible battery list on the Autarco website.



Warning: Inverter must be installed with compatible battery models. Any defect, damage or collateral loss due to using a non-compatible battery is not in the scope of inverter warranty or compensation.

Please refer to the battery compatible list on Autarco website for information on latest compatible battery models.

Note: If the hybrid inverter is not connected to a battery, select "No Battery" to avoid alarms.

For above compatible battery modules, only three parameters need to be defined:

1. OverDischg SOC (10%~40%, default 20%)

--Inverter will not discharge the battery when the OverDischg SOC is reached. Battery self-discharge is unavoidable, SOC may go lower than the limit if the battery can't get charged for a long period of time.

2. ForceCharge SOC (5%~OverDischg SOC, default 10%)

--To prevent the battery going into sleep mode, when the ForceCharge SOC is reached, inverter will charge the battery using the power from either PV or Grid.

3. ForceChg Limit (0A~100A, default 100A)

--Determine the battery charge current limit when inverter operates in force charge status.

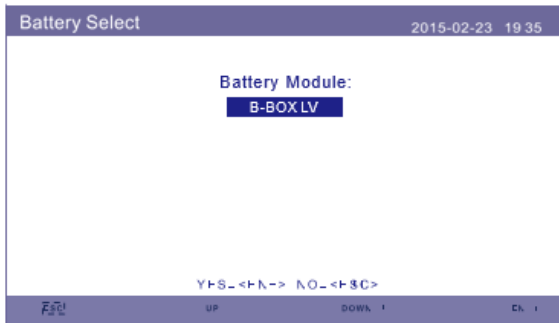


Figure 5.33 Battery Select

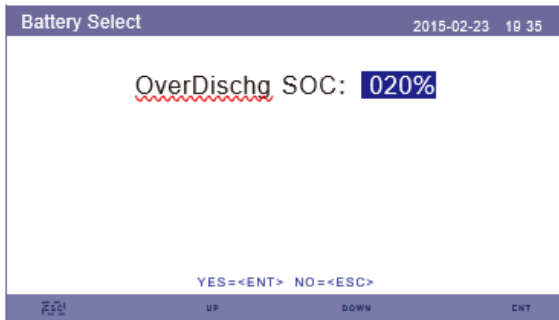
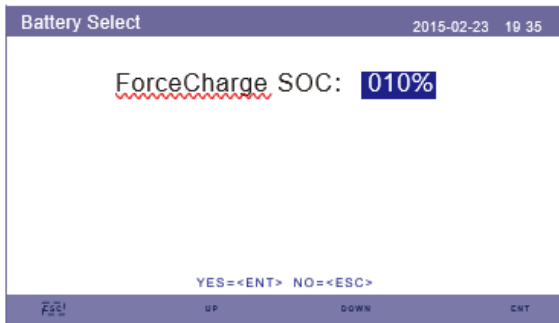
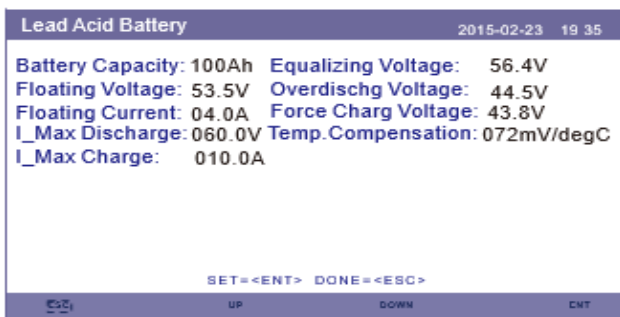


Figure 5.34 Over Discharge SOC.



Note:

The MH-MII-inverter support lead-acid battery. Select "Lead-Acid" in the "Battery Select" and configure the following parameters according to different lead-acid batteries.



Lead Acid Battery (Values are examples Only)

1. Battery Capacity: Define the capacity of the battery.
2. Equalizing Voltage: Define the voltage for equalizing charge.
3. Floating Voltage: Define the voltage for floating charge.
4. Floating Current: Define the current for floating charge.
5. Overdischg Voltage: Define the voltage that stops discharging the battery.
6. Force Chrg Voltage: Define the voltage that forces to charge the battery to prevent a dead battery.
7. ForceChg Limit: Define the battery charge current limit in force charge status.
8. I_Max Discharge: Define the max discharge current for the battery.
9. I_Max Charge: Define the max charge current for the battery.
10. Temp.Compensation: Define the temperature compensation parameter for the battery.
11. AMB.Temp.Lowe/Upper: Define the temperature range when the temperature is effective.

After configuration, save and send. If battery temperature sensor is connected, select "Warm". If battery temperature sensor is not connected, select based on actual condition for fixed compensation:

Cold: 5 degC Warm: 25 degC Hot: 40 degC



Note:

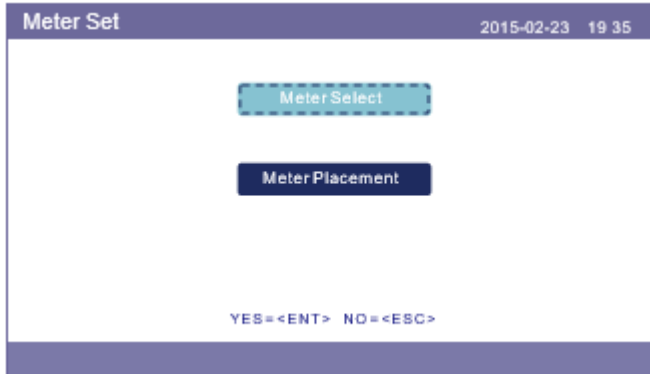
Connecting Lead-acid batteries is not recommended for general customers as it requires experienced installers and technicians who can fully understand the battery parameters and configure the settings and installations correctly.

Due to the inconformity between battery cells, damage due to incorrect selection may happen. Autarco is not responsible for any potential damages caused by the use of lead-acid batteries.

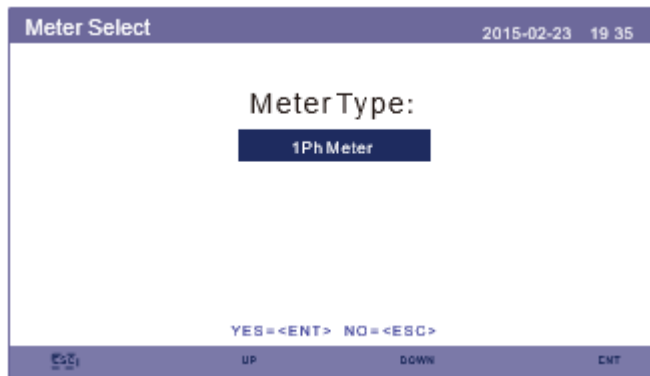
1. Under force charging, to avoid severe battery over discharge and protect battery life, the priority of force charging is higher than the control of "not allow power from the grid".
2. In Backup mode, if the current battery SOC is less than the set value (reserved SOC-2), force charge is required to ensure that the battery has sufficient SOC. In this case, the priority of force charge is higher than the control of " not allow power from the grid".
3. During the charge period of other modes, control of "not allow power from the grid" takes precedence over charging requirements.

5.6.6.3 Meter Set

These settings are used to select the meter types and meter installed locations based on the actual configuration.



5.6.6.3.1 Meter Select



Meter Model	Meter Type Options
Acrel 1ph meter (With CT): ACR10R-D16TE	"1ph meter"
Acrel 3ph meter (With CT): ACR10R-D16TE4 (Optional)	"Acrel 3ph meter"
Eastron 1ph meter (Direct Insert): SDM120M	"Eastron 1ph meter"
Eastron 1ph meter (With CT): SDM120CTM (Optional)	"Eastron 1ph meter"
Eastron 3ph meter (Direct Insert): SDM630M (Optional)	"Eastron 3ph meter"
Eastron 3ph meter (With CT): SDM630MCT (Optional)	"Eastron 3ph meter"
No meter is connected	"No Meter"

5.6.6.3.2 Meter Placement

Grid: Meter is installed at the grid connection point.

Load: Meter is installed at the load branch circuit.

Grid+PV Inverter: One meter is connected at the grid connection point, the other meter is connected at the AC output port of an extra PV inverter. (Eastron Meter is supported).

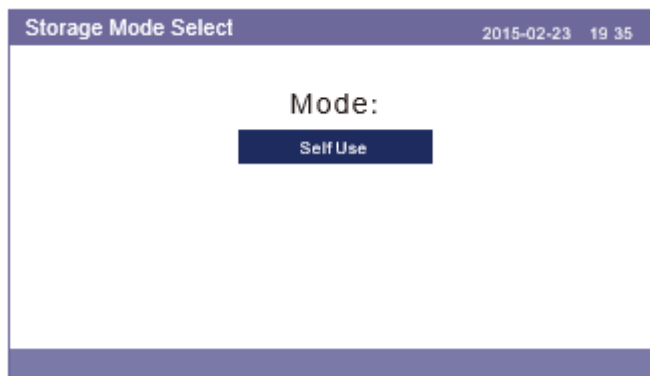
5.6.6.4 Storage Mode Select

There are 5 working modes available.

1. Self Use Mode
2. Feed in Priority Mode
3. Backup Mode
4. Off Grid Mode
5. EPS Mode

Only 1 mode can be enabled at the same time.

Please refer to Appendix for explanations and setting instructions for each mode.



5.6.6.5 Battery Wake Up

This function should be activated only after the installation. In the case of a low battery voltage shutdown, the inverter will shut-down. This setting can be enabled, so when the inverter detects PV or grid, it wakes up the battery. This function conflicts with the battery reverse polarity protection. (If the installer connects cables with wrong polarity, the inverter can protect itself from damage). To avoid the possible damage during installation, do not active battery wakeup function before finishing the first commissioning !

5.6.7 Export Power Set

This function is to set the export power control.

1. **ON/OFF.**
2. **Backflow Power.**
3. **Failsafe ON/OFF**

Setting 2&3 are only valid when Setting 1 is set to "ON"

"ON/OFF" is to enable/disable the export power control function

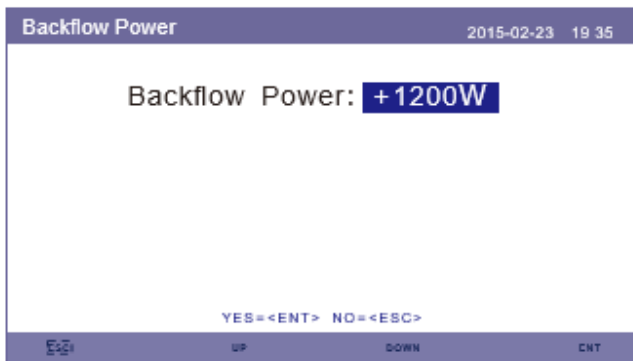
"Backflow Power" is to set the max allowed export power at the meter location

"Failsafe ON/OFF" is a protection method to prevent excess export power when meter communication fails



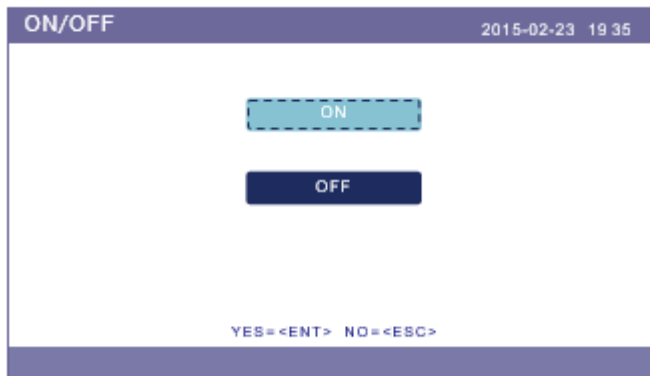
5.6.7.1 Backflow power

Determine the allowed backfeed power. (System export to the grid)



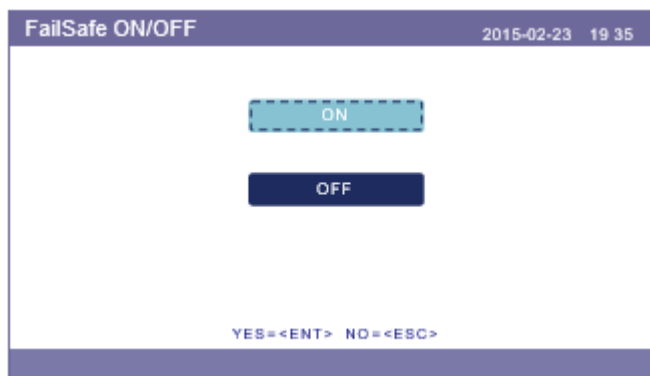
5.6.7.2 ON/OFF

Enable/Disable the function



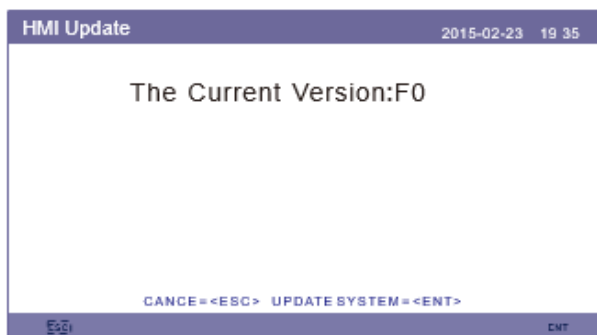
5.6.7.3 Fail Safe ON/OFF

When the Failsafe function is ON, the inverter will shutdown once it loses communication with the meter. This avoids backflow power exceeding the limit.



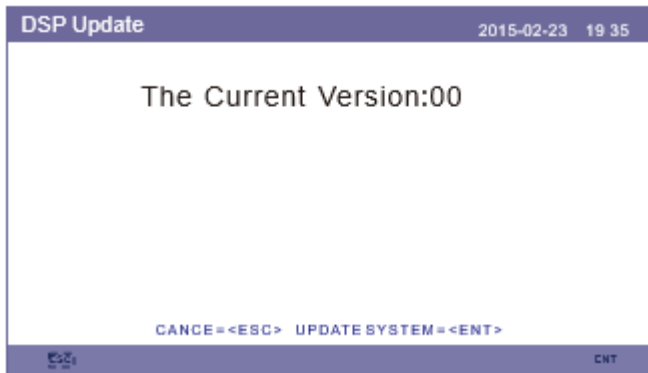
5.6.8 HMI Update

This function is used to update HMI software. Values are for reference only.



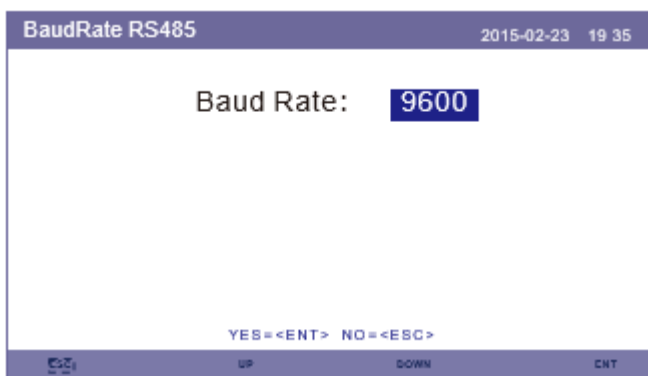
5.6.9 DSP Update

This function is used to update DSP software. Values are for reference only.



5.6.10 BaudRate RS485

This function is to change the internal communication Baudrate.



Warning: This function is for maintenance personnel only, wrong operation will prevent the inverter from working properly.

5.7 Special Settings

Inverters have a built-in AFCI function which can detect arc faults on the DC circuit and shut down the inverter to prevent a fire disaster.

5.7.1 EPS Mode

EPS Mode Logic (Need to work with external Autarco NPS switching Box to achieve switching function; not implemented now)

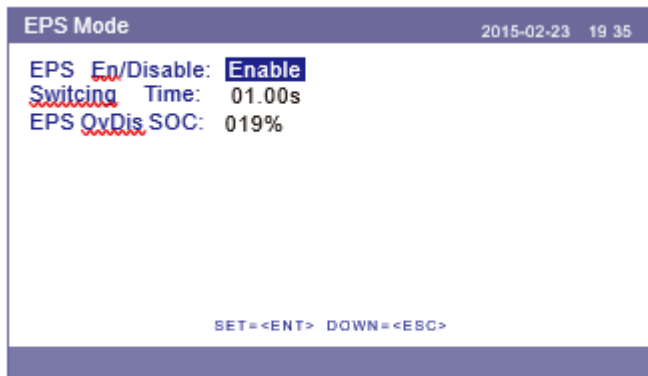
When grid is available, only the Grid Port is enabled and load is supported through NPS box by the grid. When grid is lost, Grid Port will be disabled and after the "Switching Time", the Backup Port will be enabled and then load is supported through NPS box by the Backup Port.

*It gives up the UPS function of the backup port and manually set the switching time. This mode must work with the Autarco NPS switching Box.

Otherwise it may cause some unexpected control mistakes.

EPS Mode

Path: Advanced Settings->Storage Energy Set->Storage Mode Select->EPS Mode-> EPS > En/Disable->Enable



5.7.2 AFCI

5.7.2.1 Enable the AFCI function

The AFCI function can be enabled in the following menu:



Note: If you find your inverters's user interface is different from what's in the fast installation guide, please contact after-sales engineer or technical support.



Note: The "AFCI Level" is reserved for technicians ONLY. Do not change the sensitivity otherwise it will lead to frequent false alarms or malfunctions. Manufacturer is not responsible for any further damages caused by unauthorized modifications.



Warning: The setting corresponds to the current status as well which can be used to inspect the ON/OFF state of the AFCI function.

If an DC Arc Fault is detected, during normal operation, the inverter will shut down and give out the following alarm at the LCD-screen:



Installer needs to thoroughly inspect the DC circuit to ensure all the cables are correctly fastened.

Once the DC circuit issue has been fixed or it is confirmed to be OK, press "ESC" for 3s and wait for the inverter to restart.

6 Inverter commissioning sequence

6.1 Preparation of Commissioning

- Ensure all the devices are accessible for operation, maintenance and service. Check and confirm that
- the inverter is firmly installed.
- Space for ventilation is sufficient for one or multiple inverters. No tools or other materials are left on the
- top of the inverter or battery module.
- Inverter and accessories are correctly connected.
- Cables are routed in a safe way or protected against mechanical damage. Warning signs and labels are
- suitably affixed and durable

6.2 Commissioning procedure

If all the items mentioned above meet the requirements, proceed as follows to start up the inverter for the first time.

Turn on inverter DC switch
Turn on battery breaker or battery switch button on the battery.
Select the grid standard code.
Configure the parameters.
Switch on AC backup and AC grid.
Verify inverter initializing.

6.3 Shutdown procedure

1. Turn off the AC isolator at the grid connection point.
2. Turn off the DC switch of the inverter.
3. Turn off the DC switch between inverter and battery.

7 Maintenance



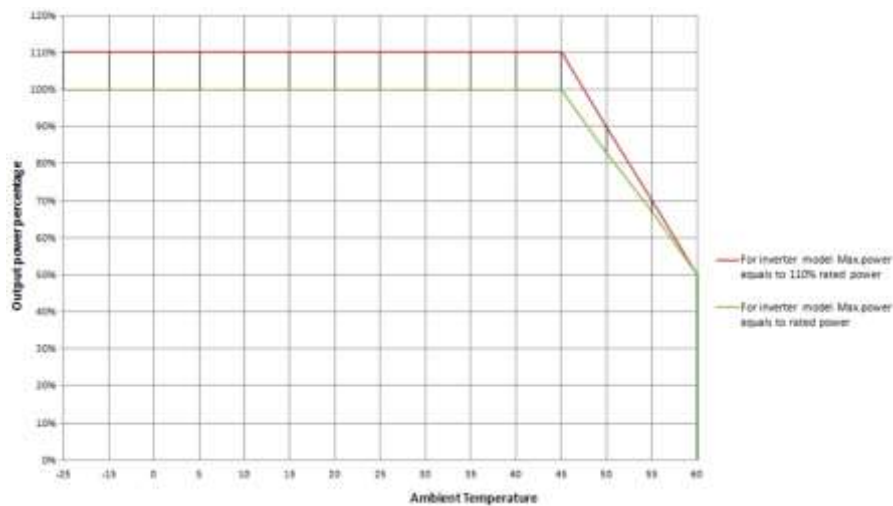
CAUTION! Do not touch the heat sink when the inverter is in operation. Turn OFF the inverter (see section 5.5) and allow for cooling down before cleaning or maintenance.



CAUTION! Never use any solvents, abrasives or corrosive materials to clean the inverter or the LCD-screen.

The MH-MII series inverters require general maintenance to be performed once per year. Impurities such as dust and dirt accumulation on the heat sink may negatively affect the inverter's ability to dissipate heat. Any dirt or dust can be removed with a cloth or soft brush.

The output power of the inverter varies with ambient temperature, as shown in the figure below.



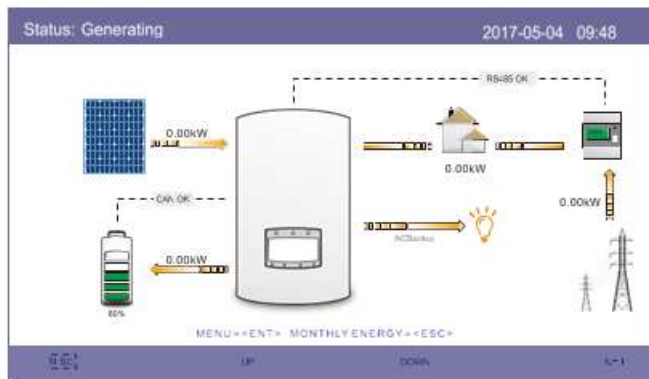
8 Troubleshooting

The inverter has been designed in accordance with international grid tied standards for safety, and electromagnetic compatibility requirements.

Before delivering to the customer the inverter has been subjected to several test to ensure its optimal operation and reliability.

In case of a failure the LCD screen will display an alarm message. In this case the inverter may stop feeding energy into the grid. The alarm descriptions and their corresponding alarm messages are listed in the table below.

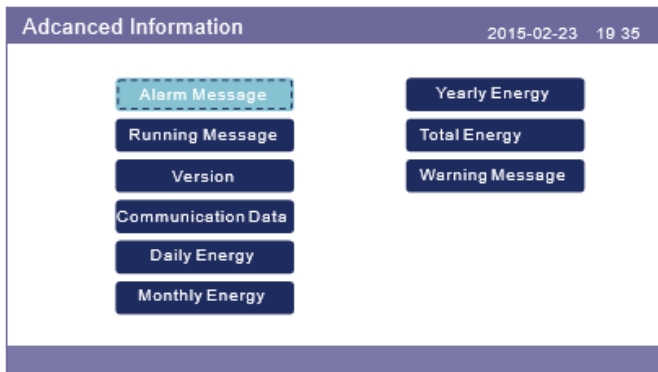
Step1: Press ENTER.



Step2: Press DOWN to select Advanced Information, then press ENTER.



Step3: Press DOWN to select Alarm Message, then press ENTER.



8.1 Alarm messages

Message Name	Information Description	Troubleshooting Suggestion
Off	Control device to shutdown	1. Turn on the device in the ON/OFF Setting.
LmtByEPM	The device's output is under controlled	<ol style="list-style-type: none"> 1. Confirm whether the inverter is connected to an external EPM/meter to prevent reverse current. 2. Confirm whether the inverter is controlled by an external third-party device. 3. Confirm whether the power setting of the inverter power control is limited. 4. Verify settings in section 6.6.7 and check your meter readings.
LmtByDRM	DRM Function ON	1. No need to deal with it.
LmtByTemp	Over temperature power limited	1. No need to deal with it, the device is in normal operation.
LmtByFreq	Frequency power limited	
LmtByVg	The device is in the Volt-Watt mode	<ol style="list-style-type: none"> 1. Due to the requirements of local safety regulations, when the grid voltage is high, the Volt-watt working mode is triggered, which generally does not need to be dealt with. 2. Inverter factory test errors causing this mode to open, if you need to close, you can close this mode in LCD, set the process: Main menu → Advanced Settings → Password 0010 → STD mode settings → Working Mode → Working mode: NULL → Save and exit.
LmtByVar	The device is in the Volt-Var mode of operation	<ol style="list-style-type: none"> 1. Due to the requirements of local safety regulations, when the grid voltage is high, the Volt-watt working mode is triggered, which generally does not need to be dealt with. 2. Inverter factory test errors causing this mode to open, if you need to close, you can close this mode in LCD, set the process: Main menu → Advanced Settings → Password 0010 → STD mode settings → Working Mode → Working mode: NULL → Save and exit.
LmtByUnFr	Under frequency limit	1. No need to deal with it.
Standby	Bypass run	
StandbySynoch	Off grid status to On grid status	
GridToLoad	Grid to load	

Message Name	Information Description	Troubleshooting Suggestion
Surge Alarm	On-site grid surge	1. Grid side fault, restart the device. If it is still not eliminated, please contact the manufacturer's customer service.
OV-G-V01	Grid voltage exceeds the upper voltage range	1. Confirm whether the power grid is abnormal. 2. Confirm that the AC cable is properly connected. 3. Restart the system and check if the fault persists.
UN-G-V01	Grid voltage exceeds the lower voltage range	
OV-G-F01	Grid frequency exceeds the upper frequency range	
UN-G-F01	Grid frequency exceeds the lower frequency range	
G-PHASE	Unbalanced grid voltage	
G-F-GLU	Grid voltage frequency fluctuation	
NO-Grid	No grid	
OV-G-V02	Grid transient overvoltage	
OV-G-V03	Grid transient overvoltage	1. Restart the system, confirm if that the fault continues.
IGFOL-F	Grid current tracking failure	1. Confirm whether the power grid is abnormal. 2. Confirm that the AC cable is properly connected. 3. Restart the system and check if the fault persists.
OV-G-V05	Grid voltage RMS instantaneous overvoltage fault	
OV-G-V04	Grid voltage exceeds the upper voltage range	
UN-G-V02	Grid voltage exceeds the lower voltage range	
OV-G-F02	Grid frequency exceeds the upper frequency range	
UN-G-F02	Grid frequency exceeds the lower frequency range	
NO-Battery	Battery is not connected	1. Check on information page 1 – Verify the battery voltage is within standards. 2. Measure battery voltage at plug.
OV-Vbackup	Inverting overvoltage	1. Check whether the backup port wiring is normal 2. Restart the system, confirm that the fault continues.
Over-Load	Load overload fault	1. Backup load power is too large, or some inductive load startup power is too large, need to remove some backup load, or remove the inductive load on the backup.

Message Name	Information Description	Troubleshooting Suggestion
BatName-FAIL	Wrong battery brand selection	1. Confirm whether the battery model selection is consistent with the actual one.
CAN Fail	CAN Fail	1. Can failure is a failure of communication between inverter and battery. Check cable conditions. Check to ensure you have it plugged in on the CAN port of the battery and inverter. Check that you are using the right cable. Some batteries require a special battery from the battery manufacturer.
OV-Vbatt	Battery undervoltage detected	1. Verify battery voltage is within standards. Measure battery voltage at inverter connection point. Contact your battery manufacturer for further service.
UN-Vbatt	Battery overvoltage detected	1. Restart the system and check if the fault persists. If it is still not eliminated, please contact the manufacturer's customer service.
Fan Alarm	Fan alarm	1. Check if the internal fan is working correctly or jammed.
OV-DC01 (1020 DATA:0001)	DC 1 input overvoltage	1. Check if the PV voltage is abnormal 2. Restart the system, confirm that the fault continues
OV-DC02 (1020 DATA:0002)	DC 2 input overvoltage	
OV-BUS (1021 DATA:0000)	DC bus overvoltage	1. Restart the system, confirm that the fault continues.
UN-BUS01 (1023 DATA:0001)	DC bus undervoltage	
UNB-BUS (1022 DATA:0000)	DC bus unbalanced voltage	
UN-BUS02 (1023 DATA:0002)	Abnormal detection of DC bus voltage	
DC-INTF. (1027 DATA:0000)	DC hardware overcurrent (1, 2, 3, 4)	1. Check if the DC wires are connected correctly without loose connection.
OV-G-I (1018 DATA:0000)	A phase RMS value overcurrent	1. Confirm that the grid is abnormal. 2. Confirm that the AC cable connection is not abnormal. 3. Restart the system, confirm that the fault continues.
OV-DCA-I (1025 DATA:0000)	DC 1 average overcurrent	1. Restart the system, confirm that the fault continues.
OV-DCB-I (1026 DATA:0000)	DC 2 average overcurrent	
GRID-INTF. (1030 DATA:0000)	AC hardware overcurrent (abc phase)	

Message Name	Information Description	Troubleshooting Suggestion
DCInj-FAULT (1037 DATA:0000)	The current DC component exceeds the limit	<ol style="list-style-type: none"> 1. Confirm that the grid is abnormal. 2. Confirm that the AC cable connection is not abnormal. 3. Restart the system, confirm that the fault continues.
IGBT-OV-I (1048 DATA:0000)	IGBT overcurrent	<ol style="list-style-type: none"> 1. Restart the system, confirm that the fault continues.
OV-TEM (1032 DATA:0000)	Module over temperature	<ol style="list-style-type: none"> 1. Check whether the surrounding environment of the inverter has poor heat dissipation. 2. Confirm whether the product installation meets the requirements.
RelayChk-FAIL (1035 DATA:0000)	Relay failure	<ol style="list-style-type: none"> 1. Restart the system, confirm that the fault continues.
UN-TEM (103A DATA:0000)	Low temperature protection	<ol style="list-style-type: none"> 1. Check the working environment temperature of the inverter. 2. Restart the system to confirm if the fault continues.
PV ISO-PRO01 (1033 DATA:0001)	PV negative ground fault	<ol style="list-style-type: none"> 1. Check whether the PV strings have insulation problems. 2. Check whether the PV cable is damaged.
PV ISO-PRO02 (1033 DATA:0002)	PV positive ground fault	
12Power-FAULT (1038 DATA:0000)	12V undervoltage failure	<ol style="list-style-type: none"> 1. Check current leakage to ground. Verify your grounding. Verify all wires are in good condition and not leaking current to ground.
ILeak-PRO01 (1034 DATA:0001)	Leakage current failure 01 (30mA)	
ILeak-PRO02 (1034 DATA:0002)	Leakage current failure 02 (60mA)	
ILeak-PRO03 (1034 DATA:0003)	Leakage current failure 03 (150mA)	
ILeak-PRO04 (1034 DATA:0004)	Leakage current failure 04	
ILeak_Check (1039 DATA:0000)	Leakage current sensor failure	
GRID-INTF02 (1046 DATA:0000)	Power grid disturbance 02	<ol style="list-style-type: none"> 1. Confirm whether the grid is seriously distorted. 2. Check whether the AC cable is connected reliably.
OV-Vbatt-H/ OV-BUS-H (1051 DATA:0000)	Battery overvoltage hardware failure / VBUS	<ol style="list-style-type: none"> 1. Check if the battery circuit breaker is tripping. 2. Check if the battery is damaged.

Message Name	Information Description	Troubleshooting Suggestion
OV-ILLC (1052 DATA:0000)	LLC hardware overcurrent	1. Check whether the backup load is overloaded. 2. Restart the system, confirm that the fault continues.
INI-FAULT (1031 DATA:0000)	AD zero drift overlink	1. Restart the system, confirm that the fault continues.
DSP-B-FAULT (1036 DATA:0000)	The master-slave DSP communication is abnormal	
AFCI-Check (1040 DATA:0000)	AFCI self-test failure	
ARC- FAULT (1041 DATA:0000)	AFCI failure	1. Verify connections are tight within your PV system. Arc fault settings can be changed in advanced settings if further adjustment is necessary.



Note: If the inverter displays any alarm message as listed in the table above; please turn off the inverter and wait for 5 minutes before restarting it . If the failure persists, please contact your local distributor or Autarco support.

Please keep the following information ready before contacting your installer.

Serial number of the Autarco Hybrid Inverter;

The distributor/dealer of the Autarco Hybrid Inverter

Installation date.

The description of the problem (i.e. the alarm message displayed on the LCD and the status of the LED status indicator lights. Other readings obtained from the Information submenu will also be helpful.

The PV array configuration (e.g. number of panels, capacity of panels, number of strings, etc.)

Your contact details.

9 Recycling and Disposal

To comply with European Directive 2002/96/EC on waste Electrical and Electronic Equipment (WEEE) and its implementation as national law, electrical equipment that has reached the end of its life must be collected separately and returned to an approved recycling facility. Ignoring this EU Directive may have severe effects on the environment and public health.

10 Specifications

	S2.MH3000-MII	S2.MH3600-MII	S2.MH4600-MII	S2.MH5000-MII*	S2.MH6000-MII**
Input DC					
Recommended max PV power (W)	4800	7000	8000		
Max. DC voltage (V)	600				
MPPT voltage range (V)	90-520				
Turn on voltage (V)	120				
Full load MPPT range (V)	100-520	120-520	155-520	170-520	200-520
Number of MPP trackers	2				
Max. DC current per MPPT (A)	15				
Max short circuit input (A)	22.5				
Number of DC connections per MPPT	1				
Total number of strings	2				
DC connection type	MC4				
Battery					
Battery type	Li-Ion/Lead-Acid				
Battery voltage range (Vdc)	42-58				
Battery capacity (Ah)	50-2000				
Max charging power (KW)	3	5			
Max charge/discharge current (A)	62.5	100			
Battery communication	CAN				
Output AC (backup)					
Rated output power (kW)	3	5			
Max. apparent output power (VA)	4500	7000			
Back-up switch time (sec)	< 20 ms				
Rated output voltage (V)	1P/NE/PE (220 /230)				
Rated frequency (Hz)	50/60				
Rated output current (A)	14/13.5	23/22			
THDv (@linear load)	<3%				

*This model is not available in Germany. For Belgium market, the max apparent output power is 5KVA.

**This model is not available in Germany and Belgium.

	S2.MH3000-MII	S2.MH3600-MII	S2.MH4600-MII	S2. MH5000-MII*	S2. MH6000-MII**
In/output AC grid side					
Input voltage range (V)	187-265				
Max. input current (A)	20.5/20	25/23.5	31.5/30	34.5/33	
AC Grid frequency range (Hz)	45..55/55..65 (According to EN50549 VDE 0126-1-1, UL1741, G99)				
Rated output power (kW)	3	3.6	4.6	5	6
Max. apparent output power (kVA)	3.3	4	4.6	5.5*	6.6*
Operation	1P/N/PE (220/230 V)				
Grid voltage range (V)	187-265				
Rating grid frequency (Hz)	50/60				
AC grid frequency range (Hz)	45-55/55-65				
Rating grid output current (A)	13.7/13.1	16.4/15.7	20.9/20	22.7/21.7	27.2/26.1
Max output current (A)	15	18.5	21	25	30
Power factor (at rated output power)	> 0.99 (0.8 leading ...1... 0.8 lagging))				
Harmonic distortion at nom. output (THDI)	<3%				
Efficiency					
Max. efficiency (%)	>97.1%				
Euro efficiency (%)	>96.5				
Safety protection					
DC-reverse polarity protection	Yes				
Output short protection	Yes				
Output over current protection	Yes				
Ground fault monitoring	Yes				
Integrated AFCI	Yes				
Protection class/Over voltage	I/II				

*This model is not available in Germany. For Belgium market, the max apparent output power is 5KVA.

**This model is not available in Germany and Belgium.

	S2.MH3000-MII	S2.MH3600-MII	S2.MH4600-MII	S2.MH5000-MII*	S2.MH6000-MII**
General data					
Dimensions (W x H x D) (mm)	333x505x249				
Weight (kg)	18.3				
Type of inverter	High frequency isolation (for battery)				
Operating temperature range (°C)	-25..60				
IP protection rating	IP65				
Noise level (dB(A))	<20				
Cooling concept	Natural convection				
Maximum operational altitude (m)	3000				
Grid connection standards	G98 or G99, VDE-AR-N 4105 / VDE V 0124, EN 50549-1, VDE 0126 / UTE C 15/VFR:2019, RD 1699/RD 244 / UNE 206006 / UNE 206007-1, CEI 0-21, C10/11, NRS 097-2-1, TOR, EIFS 2018.2, IEC 62116, IEC 61727, IEC 60068, IEC 61683, EN 50530, MEA, PEA				
Safety & EMC standard	IEC/EN 62109-1/-2 ,EN 61000-6-1/-3				
Features					
DC Connection	MC4 connector				
AC connection	Quick connection plug				
Display	7 inch LCD color screen				
Communication	RS485, optional Wifi, GPRS				
Standard warranty	5 years (extendable to 20 years)				

*This model is not available in Germany. For Belgium market, the max apparent output power is 5KVA.

**This model is not available in Germany and Belgium.

11 Appendix

In the appendix additional information on settings and assembly is shown. Always check with the supplier of the materials on the right working procedures.

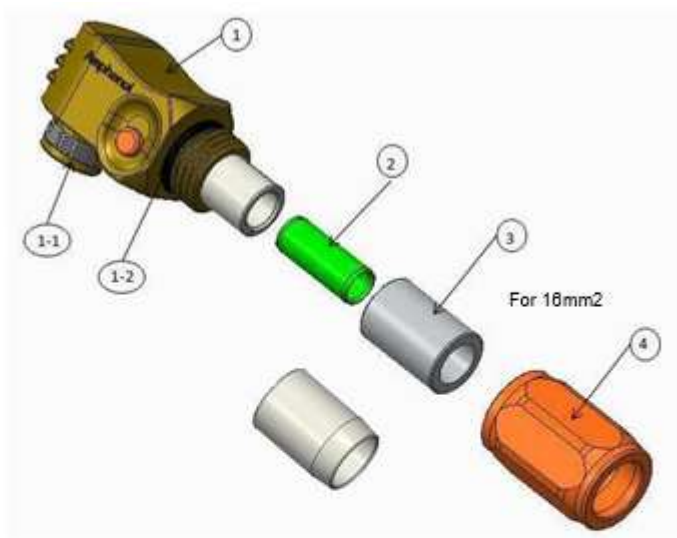
A) Battery Terminal Assembly

In order to avoid DC arcs, Autarco suggests to install a DC switch between the battery and MH-MII inverter.

Be sure the polarities of battery is correct before connecting to the inverter.

Please follow the instructions below to choose the battery power cable

Battery power cable use water-proof AMPHENOL connectors. To unlock, pressing the side Lock Button when pulling out the power plug.



① : Connector Body

1-1: Barrel sealing (Not included when no sealing requirement)

1-2: O-Ring (Not included when no sealing requirement)

② : Barrel(Only for cable size 16mm²)

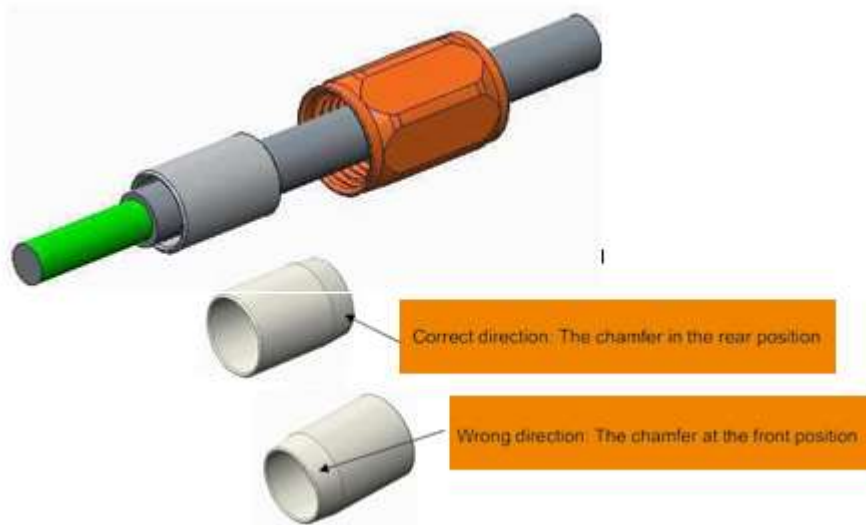
③ : Grommet(Not included when no sealing requirement)

④ : Back Shell

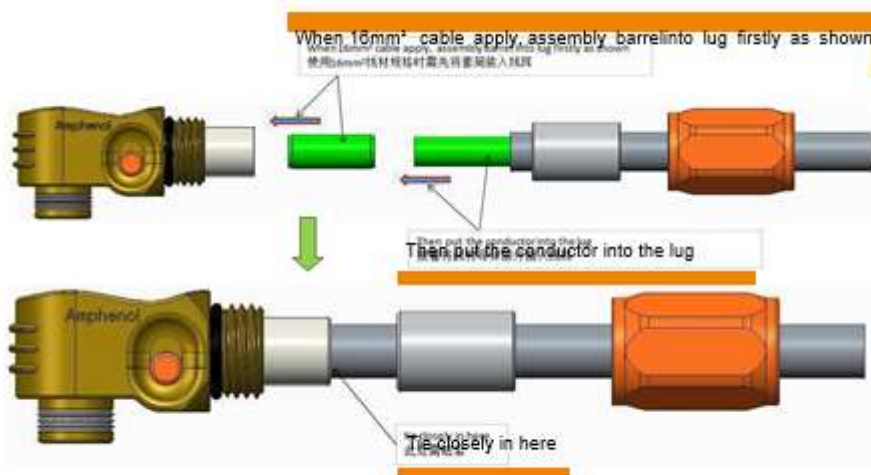
Instructions for cable assembly

Step 1: Strip the cable to a length of 18 mm

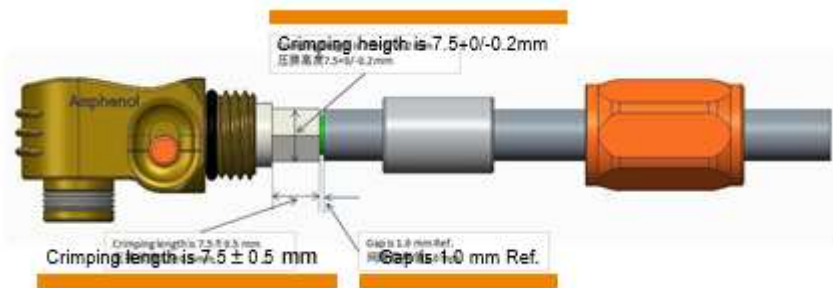
Step 2: Check the position of the chamfer



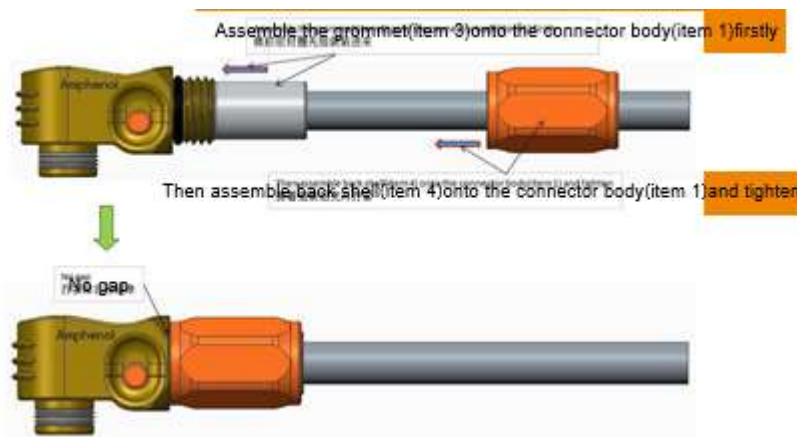
Step 3: Follow steps to assemble



Step 4: Crimp the lug as shown. Crimping height is $7.5+0/-0.2$ mm, crimping length is $7.5+/- 0.5$ mm. Gap is 1.0 mm reference. Use die of 25 mm in the crimping tool.



Step 5: Install grommet and back shell



11.1 Working Mode description

In this chapter the different working modes of the hybrid inverters are described. Please note that certain modes are not allowed by each net-operator.

Mode 1: Self-Use Mode Logic (Maximize the usage of PV)

PV Power Using Priority: Load > Battery > Grid Load Support Priority: PV > Battery > Grid

Battery Charging Power comes from PV. (If "Charging From Grid" is allowed, it can also come from Grid)

If "Time of Use" is "Run", the logic will follow the charging/discharging settings and time settings as defined in "Time of Use". For those undefined period of time, it will still follow the Self-Use logic.

Time of use for Self use

Path: Advanced Settings->Storage Energy Set->Storage Mode Select->Self-Use Mode-> ON->Time of use for Self use



Charging from grid self use (Please check first in your country if this mode is allowed)

Path: Advanced Settings->Storage Energy Set->Storage Mode Select->Self-Use Mode-> ON->Charging from grid for Self use



Mode 2: Feed In Priority Mode Logic(Feed the excess PV to Grid in order to gain subsidies)

PV Power Using Priority: Load>Grid>Battery Load Support Priority: PV>Battery>Grid
 Battery Charging Power comes from PV. (If “Charging From Grid” is allowed, it can also come from Grid)

If “Time of Use” is “Run”, the logic will follow the charging/discharging settings and time settings as defined in “Time of Use”. For those undefined period of time, it will still follow the Feed in Priority logic.

Time of use for Feed for priority

Path: Advanced Settings->Storage Energy Set->Storage Mode Select-> Feed in Priority Mode->ON->Time of use for Feed for priority



Charging from grid for Feed for priority **(Please check first in your country if this mode is allowed)**

Path: Advanced Settings->Storage Energy Set->Storage Mode Select-> Feed in Priority Mode->ON->Charging from grid for Feed for priority



Mode 3: Backup Mode Logic(Keep the Battery at a certain SOC and only use it during power outage)

Backup Mode Logic: Keep the Battery at a certain SOC and only use it during power outage.

Backup SOC Setting Range: From Battery "Overdischarge SOC" to 100% PV Power Using Priority: Battery>Load>Grid

Load Support Priority: PV>Grid>Battery

Battery Charging Power comes from PV. (If "Charging From Grid" is allowed, it can also come from Grid)

* The "Backup Mode" is not applicable for Lead-acid batteries.

Charging from grid for Backup mode **(Please check first in your country if this mode is allowed)**

Path: Advanced Settings->Storage Energy Set->Storage Mode Select->Backup Mode->ON->Backup SOC->Charging from grid for Backup mode



Mode 4: Off-Grid Mode Logic(For Off-grid use and AC-Grid Port Disconnected)

OverDischg SOC for Off-Grid Setting Range: From Battery “Forcecharge SOC” to 100% PV Power Using Priority: Load>Battery

Load Support Priority: PV>Battery Battery Charging Power comes from PV.

Off Grid Mode

Path: Advanced Settings->Storage Energy Set->Storage Mode Select->Off-Grid Mode-> ON->Off Grid Mode



11.2 Grid standard selection guide

For different countries and regions, corresponding grid code needs to be selected in the inverter LCD to meet the requirements of local network provider.

This instruction indicates how to change the grid code and what code should be selected in different places.

This following list illustrates the grid standard options in the inverter which are subject to change. More settings are available.

If a customer has any doubts or uncertainty, please consult Autarco service department for confirmation.

To set the correct grid code, please enter the following path: Advanced Settings -> Password-> Select Standard

Detailed protection limits can be viewed when choosing the code. Please select "Save&Send" to enforce the code.

NO.	Code in LCD	Country/Region	Comments
1	VDE4015	Germany	For German Low Voltage Grid.
2	EN50549 PO	Poland	For Polish Low Voltage Grid
3	EN50549 NL	Netherlands	For Dutch Low Voltage Grid
4	EN50438 L	-	General EN50438 Requirement. Possible to be used in Austria, Cyprus, Finland, Czech Republic, Slovenia, etc.
5	EIFS- SW	Sweden	For Swedish Low Voltage Grid
6	France	France	For French Low Voltage Grid
7	C10/11	Belgium	For Belgian Low Voltage Grid
8	NRS097	South Africa	For South African Low Voltage Grid
9	CEI0-21	Italy	For Italian Low Voltage Grid
10	EN50549L (EN50549-1)	-	General EN50549-1 requirement which meets local requirements of most European countries
11	G9 8	U K	For UK Low Voltage Grid <16A
12	G9 9	U K	For UK Low Voltage Grid >16A

NO	Code in LCD	Country/Region	Comments
13	G98 NI	North Ireland	For North Ireland Low Voltage Grid <16A
14	G99 NI	North Ireland	For North Ireland Low Voltage Grid >16A
15	User-define	-	Customized Protection Limits
16	Gen50	-	Generator Connected, Frequency-Derating, 50Hz
17	Gen 60	-	Generator Connected, Frequency-Derating, 60Hz
18	DK1	East Denmark	For East Danish low voltage grid
19	DK2	West Denmark	For West Danish low voltage grid
20	50438IE	Ireland	For Irish low voltage grid
21	RD1699	Spain	For Spanish low voltage grid
22	EN50549 L	-	General EN50549 Requirement. Possible to be used in Cyprus, Finland, Czech Republic, Slovenia, Jamaica