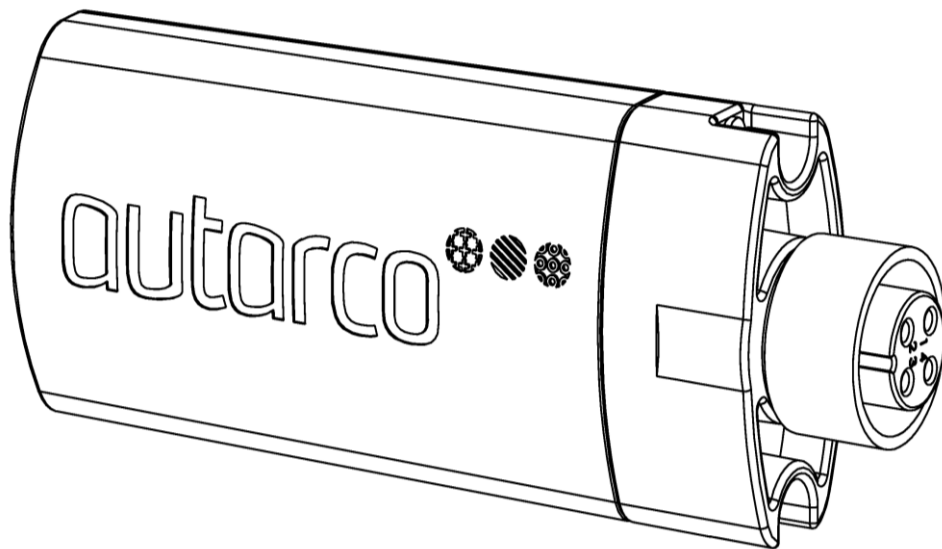


autarco

Installation Manual

LAN stick monitoring





Contact Information

Autarco Group B.V.
Mathildelaan 1B
5611 BD Eindhoven
The Netherlands

www.autarco.com
info@autarco.com

Other Information

This manual is an integral part of the unit. Please read the manual carefully before installation, operation or maintenance. Keep this manual for future reference.

Product information is subject to change without notice. All trademarks are recognized as the property of their respective owners.

© Autarco Group B.V.
All rights reserved.

Table of Contents

1.	Introduction	3
1.1	Read this first.....	3
1.2	Monitoring connection topography	3
2.	Installation	4
2.1	Install the LAN stick	4
2.2	Connect the LAN cable	5
2.3	Check the connection	5
2.4	Registration	5

1. Introduction

1.1 Read this first

The main purpose of this user manual is to provide instructions and detailed procedures for installing, operating, maintaining, and troubleshooting the Autarco LAN in Autarco string inverter models.

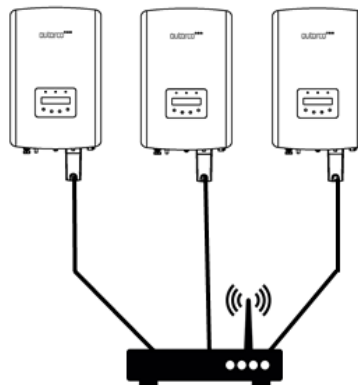
To reduce the risk of electrical shock, and to ensure the safe installation and operation of the LAN stick, the following safety symbols appear throughout this document to indicate dangerous conditions and important safety instructions.



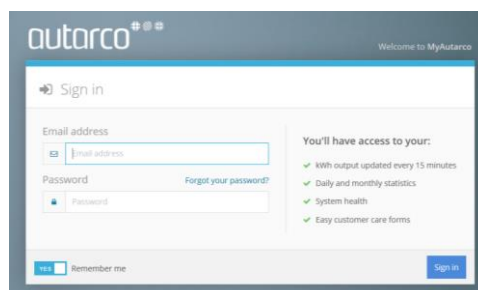
WARNING! Indicates safety instruction, which if not correctly followed, can result in injury or property damages.

Please keep this user manual available at all times.

1.2 Monitoring connection topography



Local router

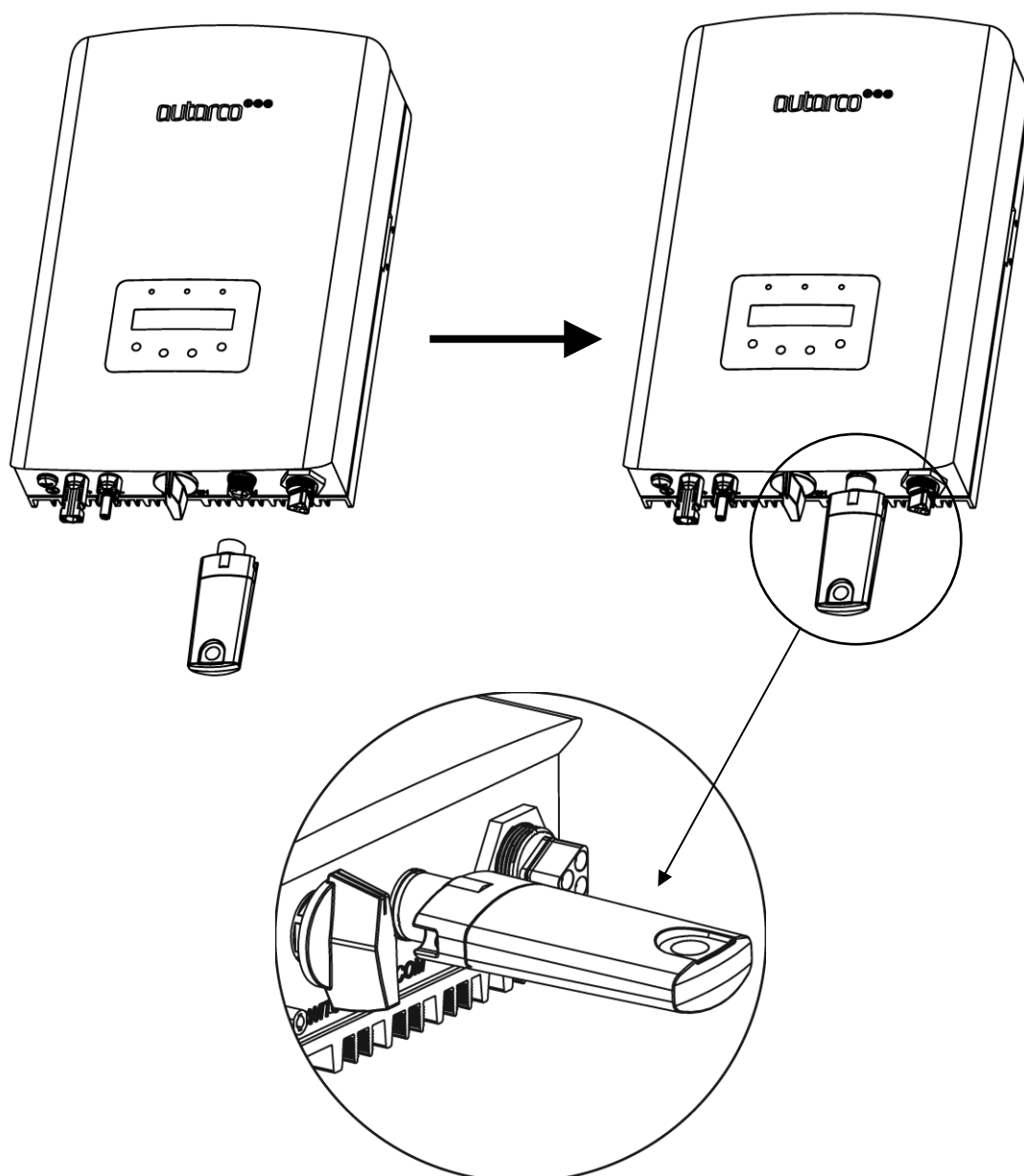


[http:// my.autarco.com](http://my.autarco.com)

2. Installation

2.1 Install the LAN stick

Connect the LAN stick to the corresponding communication interface on the inverter (make sure the four connector pin numbers correspond) and tighten the LAN stick.



WARNING! The device must be kept away from large metal objects and electrical devices with strong magnetic fields, such as microwave oven, refrigerator, cordless phone, concrete wall, PV panel and metal wall, to ensure the communication quality. Communication quality may be affected in lightning storms.

2.2 Connect the LAN cable

Connect the LAN cable (minimal CAT4) in the RJ45 connector of the LAN stick, to your local router

2.3 Check the connection

If the connection is successfully made you should see lights on both devices:

- LAN Stick: The red LED on the inside near the RJ45 connection.
- Router: The green and orange LED on the RJ45 connection.

2.4 Registration

Congratulations you are now successfully connected and the LAN Stick is sending data to the Autarco server. Follow the registration process on <https://my.autarco.com/>